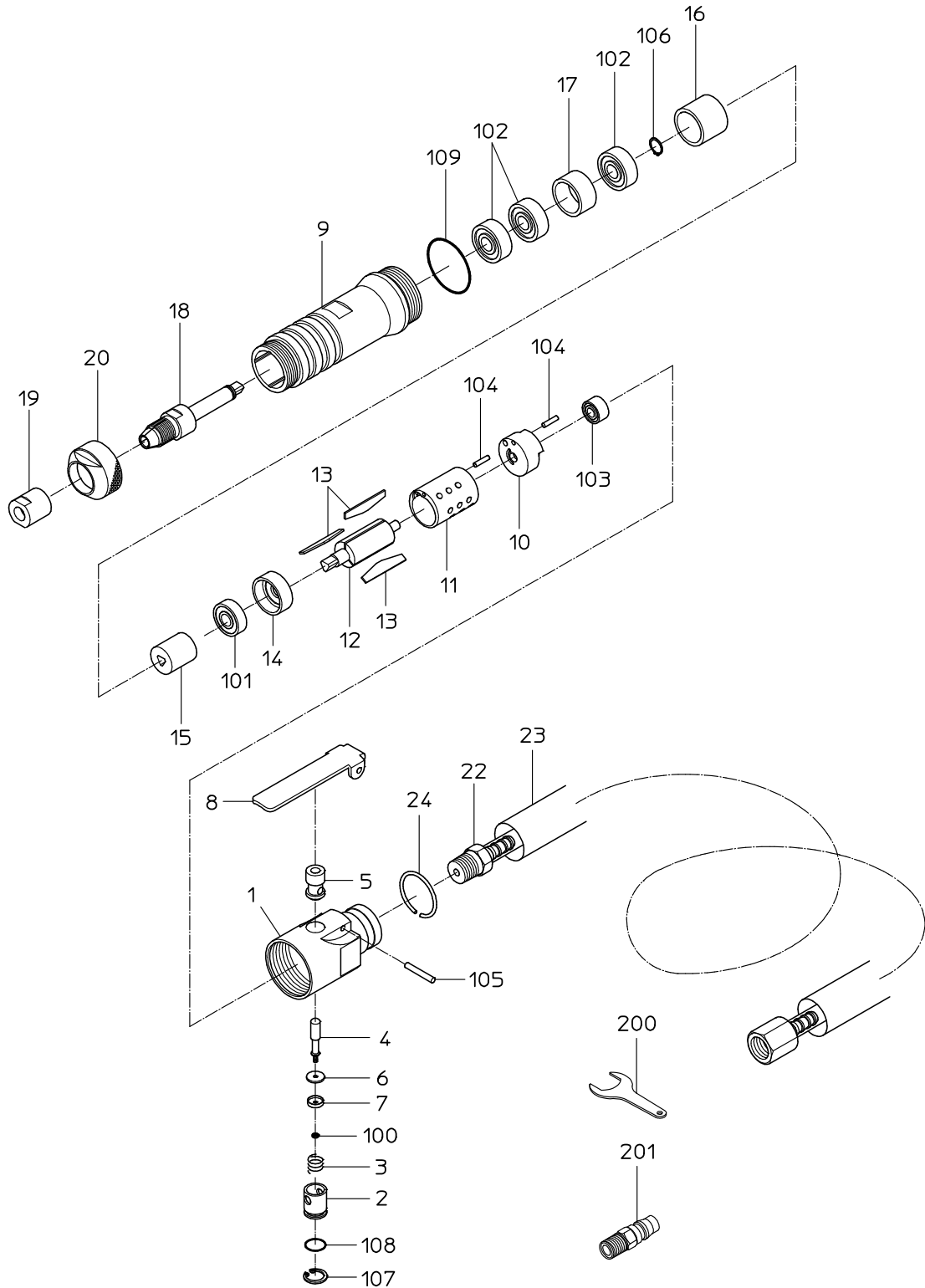


PARTS LIST

RG-16AK

500946



NIPPON PNEUMATIC MFG. CO., LTD.

PARTS LIST

MODEL : **RG-16AK**

500946

ITEM	PART NO.	PART NAME	Q'ty
1	Not available separately. Available only as HANDLE WB or HANDLE CP (P/No. 15015492 No. 15015808)	HANDLE	1
2	15000520	ADJUSTER VALVE	1
3	15000500	THROTTLE SPRING	1
4	15000540	THROTTLE PIN	1
5	15000530	THROTTLE BUSH	1
6	15000690	VALVE SHEET	1
7	15000550	THROTTLE WASHER	1
8	15015807	LEVER	1
9	15000650	ROTOR CASE	1
10	15403320	TOP PLATE	1
11	15000600	CYLINDER	1
12	15000640	ROTOR	1
13	15016117	VANE	3
14	15000630	BOTTOM PLATE	1
15	15000700	JOINT	1
16	15000710	BEARING COLLAR	1
17	15000680	BEARING WASHER	1
18	15000580	COLLET BODY	1
19	15000590	COLLET NUT	1
20	15000670	CASE CAP	1
22	24905049	SUPPLY HOSE CP	1
23	15000510	EXHAUST HOSE	1
24	17509350	STOPPER RING	1
100	28100222	HEX. NUT	1
101	28201066	BALL BEARING	1
102	28201067	BALL BEARING	3
103	28201075	BALL BEARING	1
104	28208020	SPRING PIN	2
105	28208064	SPRING PIN	1
106	25307470	RETAINING RING	1
107	25307430	SNAP RING	1
108	63200090	O RING	1
109	25401240	O RING	1
200	24999106	SINGLE ENDED SPANNER	2
	CP LIST		
	15015211	COLLET CHUCK CP 18, 19	
	15015808	HANDLE CP 1, 2, 3, 4, 5, 6, 7, 8, 100, 105, 107, 108	
	15015424	THROTTLE VALVE CP 4, 6, 7, 100	
	15015492	HANDLE WB 1, 5	