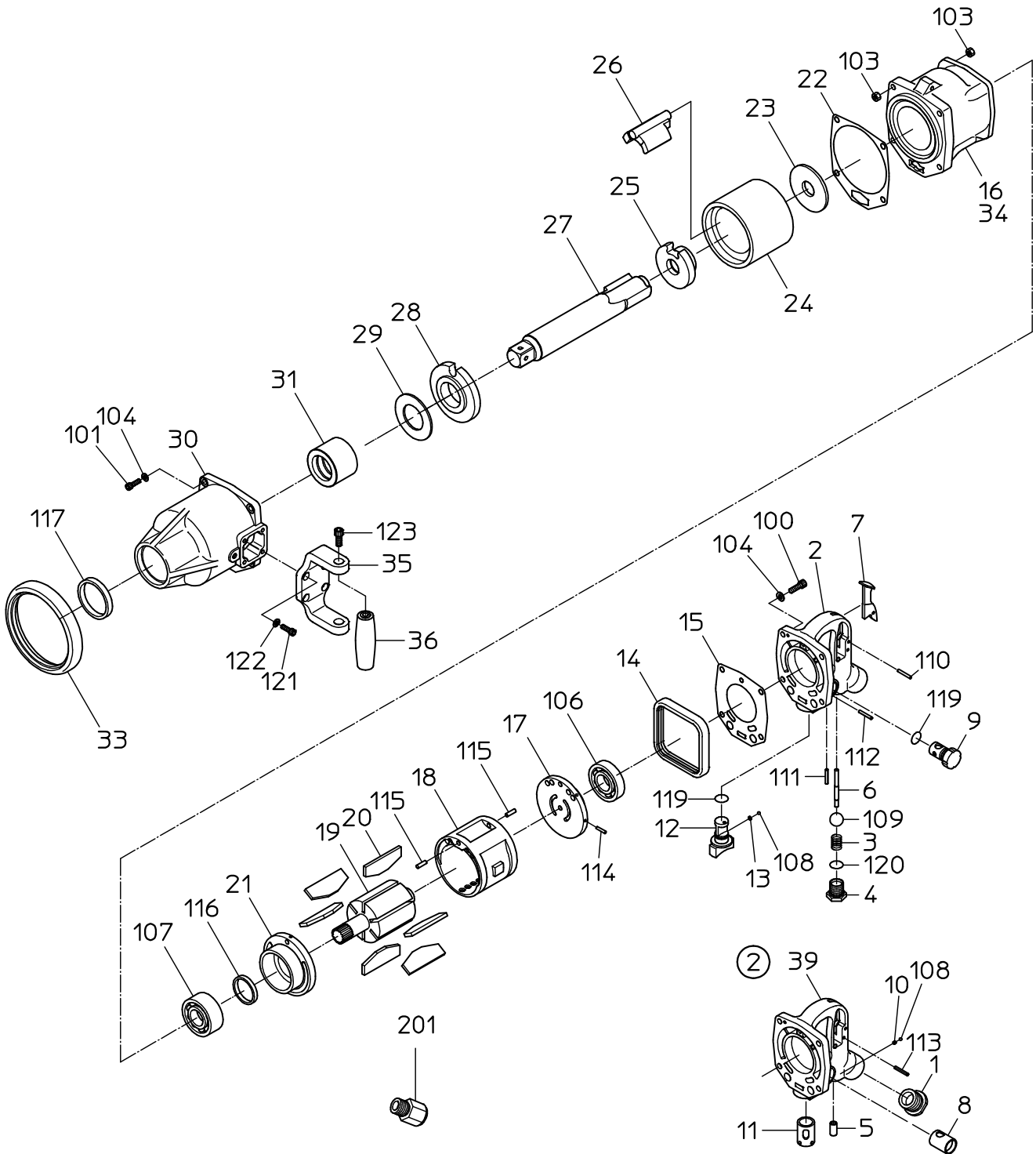


PARTS LIST

NW-5000A(7P)

525583



NIPPON PNEUMATIC MFG. CO., LTD.

PARTS LIST

(1/2)

MODEL : **NW-5000A (7P)**

525583

| ITEM | PART NO. | PART NAME | Q'ty |
|------|----------|-----------------|------|
| 2 | 15219220 | HANDLE WB | 1 |
| 3 | 15207150 | THROTTLE SPRING | 1 |
| 4 | 15219819 | THROTTLE PLUG | 1 |
| 6 | 15207220 | THROTTLE PIN | 1 |
| 7 | 15207270 | LEVER | 1 |
| 9 | 15207170 | ADJUSTER VALVE | 1 |
| 12 | 15207250 | REVERSE VALVE | 1 |
| 13 | 15202120 | SPRING | 1 |
| 14 | 15210580 | CASE CAP | 1 |
| 15 | 15210500 | TOP SEAL | 1 |
| 16 | 15210570 | ROTOR CASE | 1 |
| 17 | 15210530 | TOP PLATE | 1 |
| 18 | 15210520 | CYLINDER | 1 |
| 19 | 15210560 | ROTOR | 1 |
| 20 | 15210540 | VANE | 6 |
| 21 | 15210550 | BOTTOM PLATE | 1 |
| 22 | 15210510 | BOTTOM SEAL | 1 |
| 23 | 15210420 | SPACER | 1 |
| 24 | 15210480 | HAMMER FRAME | 1 |
| 25 | 15210440 | SCREW DRIVER | 1 |
| 26 | 15210470 | HAMMER | 1 |
| 27 | 15219822 | ANVIL | 1 |
| 28 | 15210590 | SIDE PLATE | 1 |
| 29 | 15210430 | THRUST WASHER | 1 |
| 30 | 15210450 | HAMMER CASE | 1 |
| 31 | 15219832 | CASE BUSH | 1 |
| 33 | 15210490 | CASE CAP | 1 |
| 34 | 18400217 | NAME PLATE | 1 |
| 35 | 15207390 | HOLDER | 1 |
| 36 | 15207200 | GRIP | 1 |
| 100 | 74008025 | CAP SCREW | 4 |
| 101 | 74008030 | CAP SCREW | 4 |
| 103 | 28100128 | HELICAL COIL | 8 |
| 104 | 76420108 | SPRING WASHER | 8 |
| 106 | 28201042 | BALL BEARING | 1 |
| 107 | 28201140 | BALL BEARING | 1 |
| 108 | 28205026 | STEEL BALL | 1 |
| 109 | 28205054 | RUBBER BALL | 1 |
| 110 | 28207112 | ROLLER PIN | 1 |
| 111 | 28208070 | SPRING PIN | 2 |
| 112 | 28208072 | SPRING PIN | 1 |
| 114 | 28208098 | SPRING PIN | 1 |
| 115 | 25305060 | SPRING PIN | 2 |
| 116 | 28302012 | OIL SEAL | 1 |
| 117 | 28302019 | OIL SEAL | 1 |
| 119 | 61200160 | O RING | 2 |
| 120 | 61200180 | O RING | 1 |
| 121 | 74006016 | CAP SCREW | 4 |
| 122 | 76420106 | SPRING WASHER | 4 |
| 123 | 74008020 | CAP SCREW | 2 |
| 201 | 24901025 | NIPPLE STEAD | 1 |
| | | | |
| | | | |

PARTS LIST

(2/2)

MODEL : **NW-5000A (7P)**

525583

| ITEM | PART NO. | PART NAME | Q' ty |
|------------|---|------------------|-------|
| | ASSY LIST | | |
| 【2】 | 15219220 | HANDLE WB | |
| (1) | 15207510 | SOCKET | 1 |
| (5) | Not available as a single part. | THROTTLE BUSH | 1 |
| (8) | 15207180 | ADJUSTER BUSHING | 1 |
| (10) | 15200940 | SPRING | 1 |
| (11) | 15207260 | REVERSE BUSH | 1 |
| (39) | Not available as a single part. | HANDLE | 1 |
| (108) | 28205026 | STEEL BALL | 1 |
| (113) | 28208091 | SPRING PIN | 1 |
| | | | |
| | 15219820 | HANDLE CP | |
| | 2, 3, 4, 6, 7, 9, 12, 13, 108, 109, 110, 111, 112, 119, 120 | | |
| | | | |
| | 15219282 | TOP PLATE WBR | |
| | 17, 106, 114 | | |
| | | | |
| | 15219833 | HAMMER CASE WB | |
| | 30, 31, 117 | | |
| | | | |
| | 15219284 | BOTTOM PLATE WBR | |
| | 21, 107, 116 | | |
| | | | |
| | 15219357 | HOLDER CP | |
| | 35, 36, 123 | | |
| | | | |