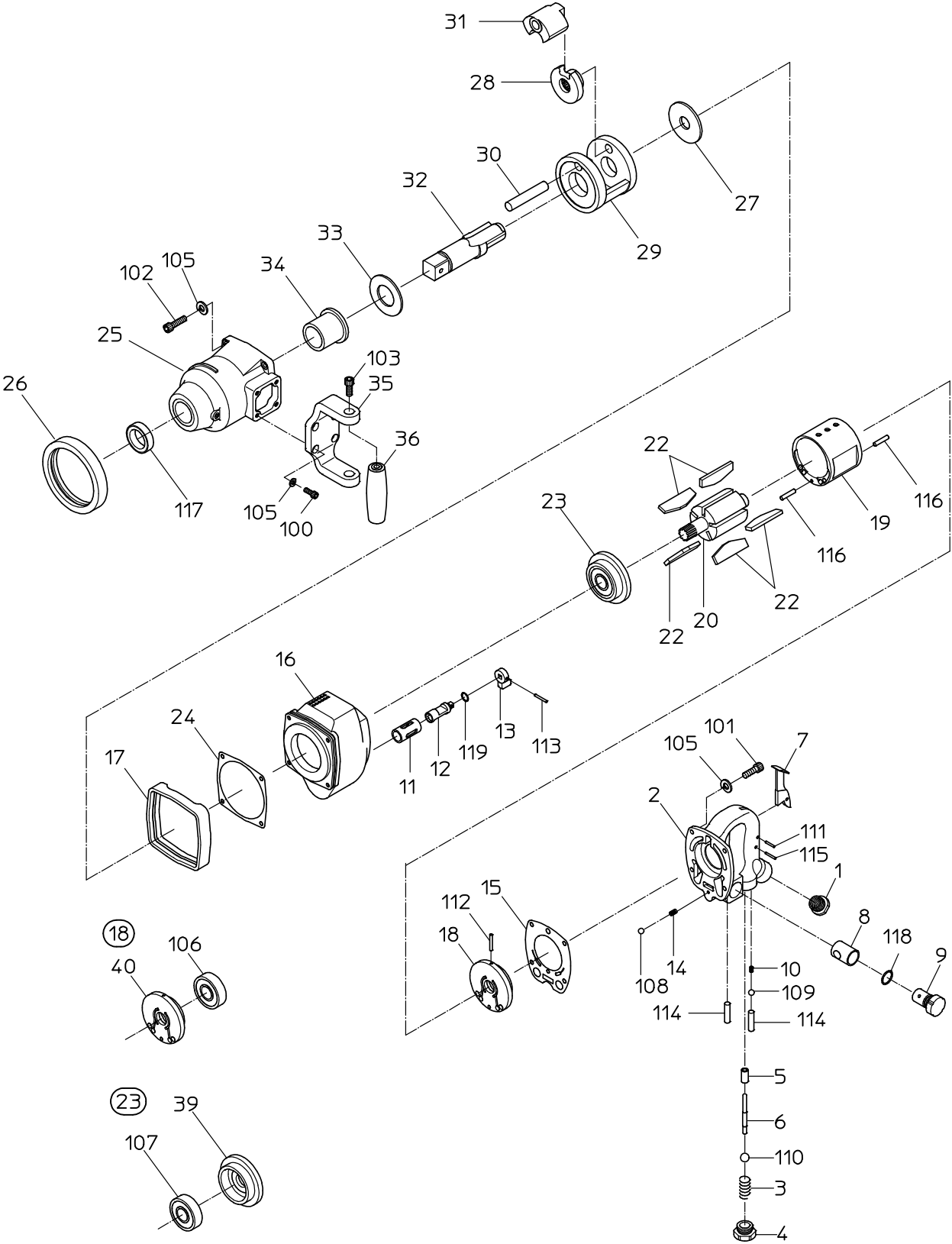


PARTS LIST

NW-3500GA(6P)

525621



NIPPON PNEUMATIC MFG. CO., LTD.

PARTS LIST

(1/2)

MODEL : **NW-3500GA (6P)**

525621

| ITEM | PART NO. | PART NAME | Q' ty |
|------|---|------------------|-------|
| 2 | 15219254 | HANDLE WB | 1 |
| 3 | 15206430 | THROTTLE SPRING | 1 |
| 4 | 15206450 | THROTTLE PLUG | 1 |
| 6 | 15210860 | THROTTLE PIN | 1 |
| 7 | 15207270 | LEVER | 1 |
| 9 | 15206440 | ADJUSTER VALVE | 1 |
| 11 | Not available separately. Available only as ROTOR CASE WB (P/No. 15219354) | REVERSE BUSH | 1 |
| 12 | 15219506 | REVERSE VALVE | 1 |
| 13 | 15210910 | REVERSE LEVER | 1 |
| 15 | 15206590 | TOP SEAL | 1 |
| 16 | Not available separately. Available only as ROTOR CASE WB (P/No. 15219354) | ROTOR CASE | 1 |
| 17 | 15206670 | CASE CAP | 1 |
| 18 | 15219253 | TOP PLATE WBR | 1 |
| 19 | 15206610 | CYLINDER | 1 |
| 20 | 15206651 | ROTOR | 1 |
| 22 | 15206630 | VANE | 5 |
| 23 | 15219255 | BOTTOM PLATE WBR | 1 |
| 24 | 15206600 | BOTTOM SEAL | 1 |
| 25 | Not available separately. Available only as HAMMER CASE WB (P/No. 15219797) | HAMMER CASE | 1 |
| 26 | 15206580 | CASE CAP | 1 |
| 27 | 15206500 | SPACER | 1 |
| 28 | 15206520 | SCREW DRIVER | 1 |
| 29 | 15206570 | HAMMER FRAME | 1 |
| 30 | 15206560 | HAMMER PIN | 1 |
| 31 | 15206550 | HAMMER | 1 |
| 32 | 15206720 | ANVIL | 1 |
| 33 | 15206510 | THRUST WASHER | 1 |
| 34 | 15206540 | CASE BUSH | 1 |
| 35 | 15207390 | HOLDER | 1 |
| 36 | 15207200 | GRIPE | 1 |
| 100 | 74006016 | CAP SCREW | 4 |
| 101 | 74006025 | CAP SCREW | 4 |
| 102 | 74006030 | CAP SCREW | 4 |
| 103 | 74008020 | CAP SCREW | 2 |
| 105 | 76420106 | SPRING WASHER | 12 |
| 110 | 28205055 | RUBBER BALL | 1 |
| 111 | 28207112 | ROLLER PIN | 1 |
| 112 | 28208056 | SPRING PIN | 1 |
| 113 | 28208080 | SPRING PIN | 1 |
| 114 | 28208070 | SPRING PIN | 2 |
| 116 | 25305050 | SPRING PIN | 2 |
| 117 | 28302017 | OIL SEAL | 1 |
| 118 | 61200160 | O RING | 1 |
| 119 | 63910090 | O RING | 1 |
| | | | |
| | | | |
| | | | |

PARTS LIST

(2/2)

MODEL : **NW-3500GA (6P)**

525621

| ITEM | PART NO. | PART NAME | Q' ty |
|-------------|--------------------------------------|------------------|-------|
| | ASSY LIST | | |
| 【18】 | 15219253 | TOP PLATE WBR | |
| (40) | Not available as a single part. | TOP PLATE | 1 |
| (106) | 28201091 | BALL BEARING | 1 |
| | | | |
| 【2】 | 15219254 | HANDLE WB | |
| (1) | 15210840 | INLET BUSHING | 1 |
| (5) | Not available as a single part. | THROTTLE BUSH | 1 |
| (8) | Not available as a single part. | ADJUSTER BUSHING | 1 |
| (10) | 15200940 | SPRING | 1 |
| (14) | 15205040 | SPRING | 1 |
| (41) | Not available as a single part. | HANDLE | 1 |
| (108) | 25502120 | STEEL BALL | 1 |
| (109) | 28205026 | STEEL BALL | 1 |
| (115) | 28208091 | SPRING PIN | 1 |
| | | | |
| 【23】 | 15219255 | BOTTOM PLATE WBR | |
| (39) | Not available as a single part. | BOTTOM PLATE | 1 |
| (107) | 28201101 | BALL BEARING | 1 |
| | | | |
| | 15219353 | HANDLE CP | |
| | 2, 3, 4, 6, 7, 9, 110, 111, 114, 118 | | |
| | | | |
| | 15219354 | ROTOR CASE WB | |
| | 11, 16 | | |
| | | | |
| | 15219796 | HAMMER CASE CP | |
| | 25, 26, 34, 117 | | |
| | | | |
| | 15219797 | HAMMER CASE WB | |
| | 25, 34, 117 | | |