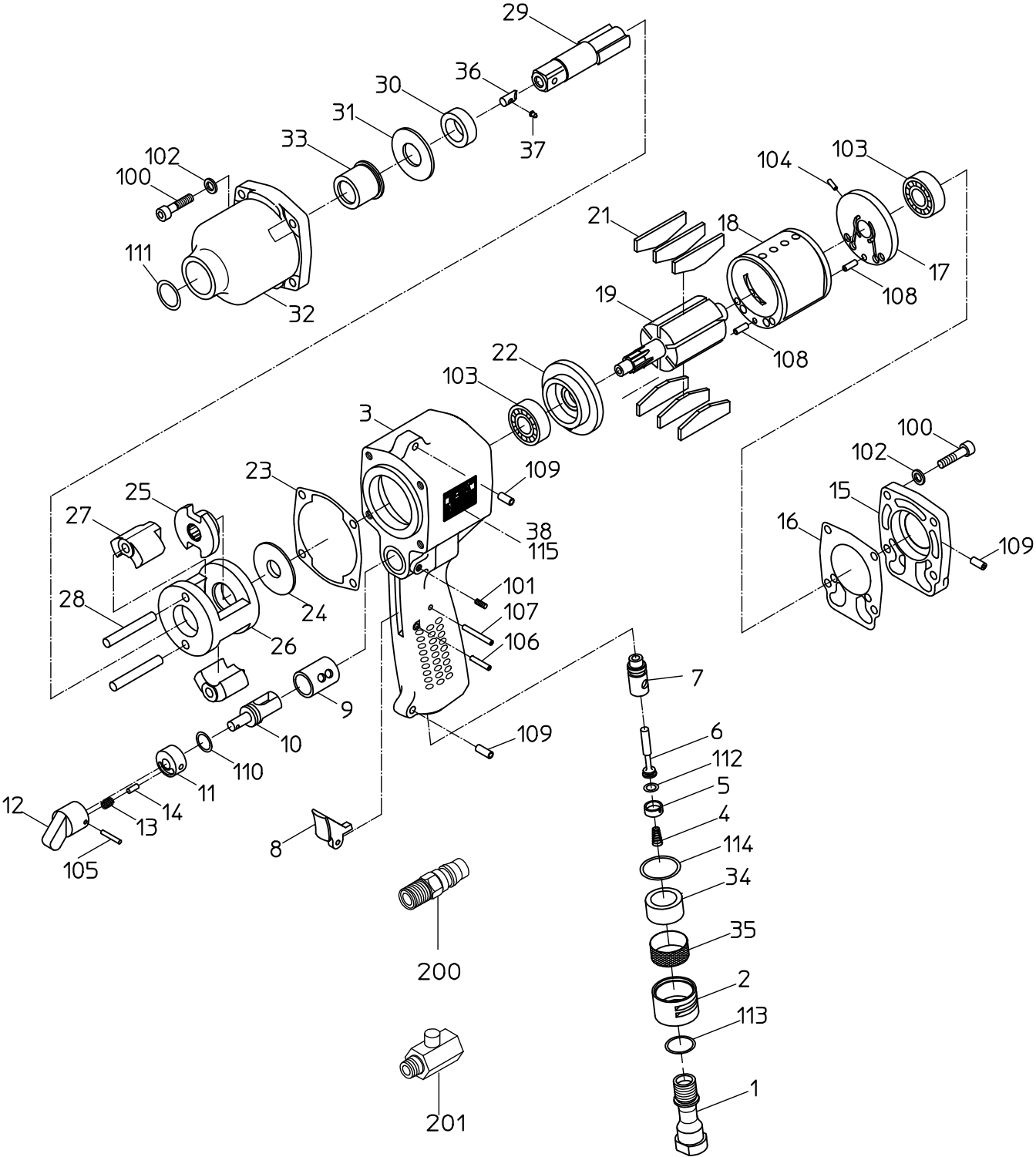


PARTS LIST

NW-10HPA(S)

525645



PARTS LIST

(1/2)

MODEL : **NW-10HPA(S)**

525645

| ITEM | PART NO. | PART NAME | Q' ty |
|------|---|-----------------|-------|
| 1 | 15213850 | INLET BUSHING | 1 |
| 2 | 15213500 | EXHAUST COVER | 1 |
| 3 | Not available separately. Available only as HANDLE WB or HANDLE CP (P/No. 15219874 No. 15219970) | HANDLE | 1 |
| 4 | 15000800 | THROTTLE SPRING | 1 |
| 5 | 15213871 | THROTTLE CAP | 1 |
| 6 | 15304300 | THROTTLE VALVE | 1 |
| 7 | Not available separately. Available only as HANDLE WB or HANDLE CP (P/No. 15219874 No. 15219970) | THROTTLE BUSH | 1 |
| 8 | 15304350 | LEVER | 1 |
| 9 | Not available separately. Available only as HANDLE WB or HANDLE CP (P/No. 15219874 No. 15219970) | REVERSE BUSH | 1 |
| 10 | 15304330 | REVERSE VALVE | 1 |
| 11 | 15303560 | REVERSE WASHER | 1 |
| 12 | 15303540 | REVERSE LEVER | 1 |
| 13 | 15303430 | SPRING | 1 |
| 14 | 15303550 | REVERSE PIN | 1 |
| 15 | 15214180 | HANDLE CAP | 1 |
| 16 | 15214200 | TOP SEAL | 1 |
| 17 | Not available separately. Available only as TOP PLATE WBR (P/No. 15219400) | TOP PLATE | 1 |
| 18 | 15219983 | CYLINDER | 1 |
| 19 | 15214251 | ROTOR | 1 |
| 21 | 15219934 | VANE | 6 |
| 22 | Not available separately. Available only as BOTTOM PLATE WBR (P/No. 15219311) | BOTTOM PLATE | 1 |
| 23 | 15214210 | BOTTOM SEAL | 1 |
| 24 | 15214020 | SPACER | 1 |
| 25 | 15200790 | DRIVER | 1 |
| 26 | 15219503 | HAMMER FRAME | 1 |
| 27 | 15214050 | HAMMER | 2 |
| 28 | 15214060 | HAMMER PIN | 2 |
| 29 | Not available separately. Available only as ANVIL CP (P/No. 15219312) | ANVIL | 1 |
| 30 | 15214000 | ANVIL BUSH | 1 |
| 31 | 15214030 | THRUST WASHER | 1 |
| 32 | Not available separately. Available only as HAMMER CASE CP or HAMMER CASE WB (P/No. 15219348 No15219789) | HAMMER CASE | 1 |
| 33 | Not available separately. Available only as HAMMER CASE CP or HAMMER CASE WB (P/No. 15219348 No15219789) | CASE BUSH | 1 |
| 34 | 15214160 | MUFFLER | 1 |

PARTS LIST

(2/2)

MODEL : **NW-10HPA(S)**

525645

| ITEM | PART NO. | PART NAME | Q' ty |
|------|---|------------------|-------|
| 35 | 15214260 | SCREEN | 1 |
| 36 | 15204490 | STOPPER | 1 |
| 37 | 15204480 | STOPPER PIN | 1 |
| 100 | 74005018 | CAP SCREW | 8 |
| 101 | 28100457 | SET SCREW | 1 |
| 102 | 76420105 | SPRING WASHER | 8 |
| 103 | 28201057 | BALL BEARING | 2 |
| 104 | 28208044 | SPRING PIN | 1 |
| 105 | 28208048 | SPRING PIN | 1 |
| 106 | 28208060 | SPRING PIN | 1 |
| 107 | 25305020 | SPRING PIN | 1 |
| 108 | 28208086 | SPRING PIN | 2 |
| 109 | 28208115 | SPRING PIN | 3 |
| 110 | 61200090 | O RING | 1 |
| 111 | 61200160 | O RING | 1 |
| 112 | 63200060 | O RING | 1 |
| 113 | 63200160 | O RING | 1 |
| 114 | 63200224 | O RING | 1 |
| 200 | 24901010 | COUPLER PLUG | 1 |
| 201 | 24999065 | POWER REGULATOR | 1 |
| | | | |
| | | | |
| | Contents of CP | | |
| | 15219970 | HANDLE CP | |
| | 1, 2, 3, 4, 5, 6, 7, 8, 9, 10, 11, 12, 13, 14, 34, 35, 101, 105 | | |
| | 106, 107, 109, 110, 112, 113, 114 | | |
| | | | |
| | 15219311 | BOTTOM PLATE WBR | |
| | 22, 103 | | |
| | | | |
| | 15219312 | ANVIL CP | |
| | 29, 36, 37 | | |
| | | | |
| | 15219348 | HAMMER CASE CP | |
| | 32, 33, 111 | | |
| | | | |
| | 15219400 | TOP PLATE WBR | |
| | 17, 103 | | |
| | | | |
| | 15219874 | HANDLE WB | |
| | 3, 7, 9, 107, 109 | | |
| | | | |
| | 15219789 | HAMMER CASE WB | |
| | 32, 33 | | |
| | | | |