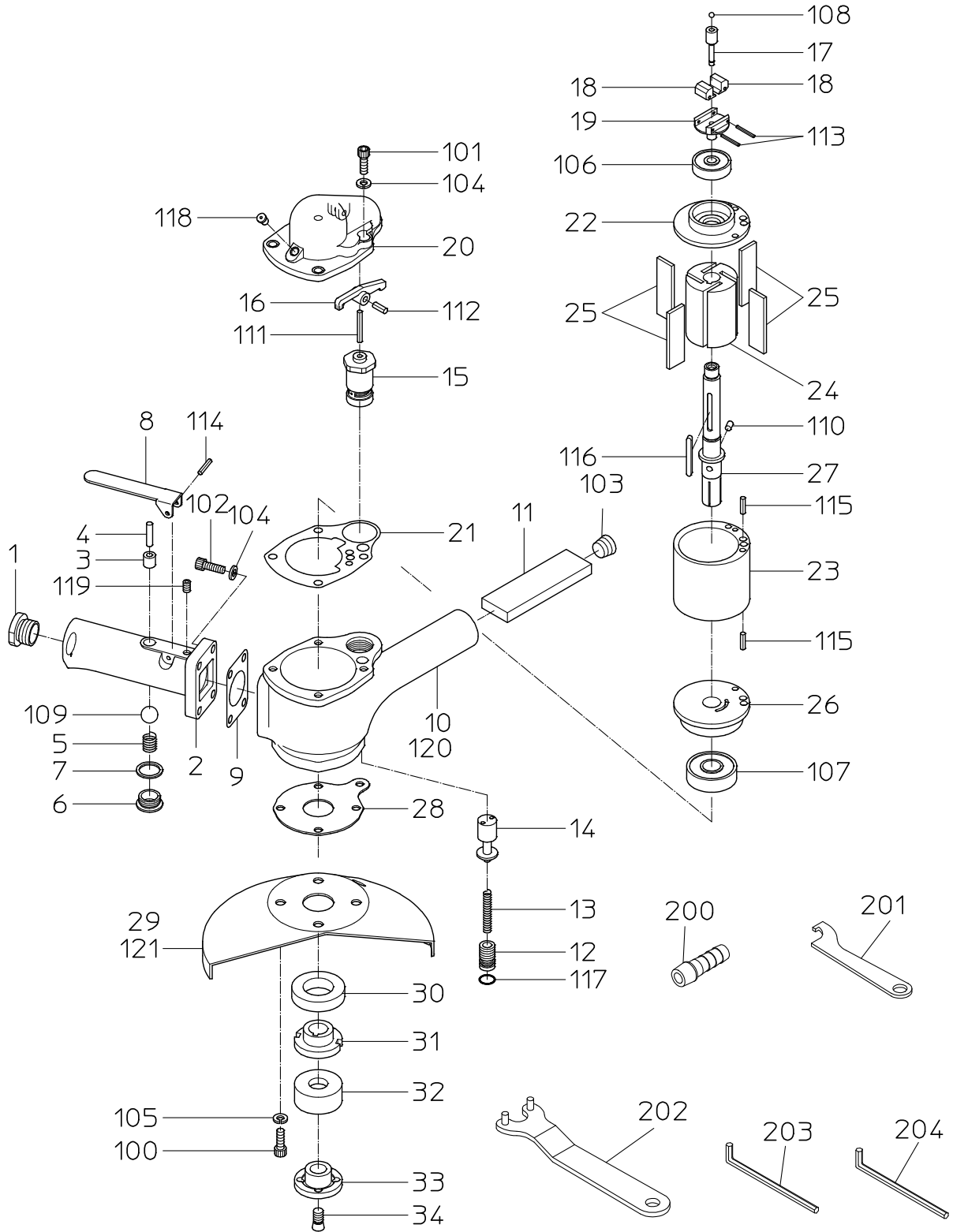


PARTS LIST

NVG-230SL

503373



NIPPON PNEUMATIC MFG. CO., LTD.

PARTS LIST

(1/2)

MODEL : **NVG-230SL**

503373

ITEM	PART NO.	PART NAME	Q' ty
1	15210840	INLET BUSHING	1
2	Not available separately. Available only as HANDLE WB or HANDLE CP (P/No. 15015437 No, 15015797)	HANDLE	1
3	Not available separately. Available only as HANDLE WB or HANDLE CP (P/No. 15015437 No, 15015797)	THROTTLE BUSH	1
4	28207224	ROLLER PIN	1
5	15009260	THROTTLE SPRING	1
6	15009290	THROTTLE PLUG	1
7	15009340	RUBBER PACKING	1
8	15009320	LEVER	1
9	15009030	SEAL PACKING	1
10	15009440	ROTOR CASE	1
11	15009150	OILER FELT	1
12	15008770	ADJUST SCREW	1
13	15008740	GOVERNOR SPRING	1
14	15008780	GOVERNOR VALVE	1
15	15009380	GOVERNOR BUSH	1
16	15008860	GOVERNOR LEVER	1
17	15009390	GOVERNOR SPINDLE	1
18	15008310	GOVERNOR WEIGHT	2
19	15007700	GOVERNOR BODY	1
20	15008960	HANDLE CAP	1
21	15009040	TOP SEAL	1
22	15009420	TOP PLATE	1
23	15009050	CYLINDER	1
24	15009430	ROTOR	1
25	15009070	VANE	4
26	15009080	BOTTOM PLATE	1
27	15009460	STONE SPINDLE	1
28	15009120	BEARING COVER	1
29	15010190	STONE COVER	1
30	15009140	FELT RING	1
31	15009410	STONE FLANGE	1
32	15009010	STONE WASHER	1
33	15006060	WHEEL NUT	1
34	15006300	LOCK SCREW	1
100	28100358	CAP SCREW	4
101	28100359	CAP SCREW	4
102	28100360	CAP SCREW	4
103	28100503	HEX. SOCKET PLUG	1
104	28100525	SPRING WASHER	8
105	28100526	SPRING WASHER	4
106	28201088	BALL BEARING	1
107	28201099	BALL BEARING	1
108	25502120	STEEL BALL	1
109	28205053	RUBBER BALL	1
110	28206087	PIN	1
111	28206153	PIN	1
112	28207131	ROLLER PIN	1
113	28208030	SPRING PIN	2
114	28208081	SPRING PIN	1

PARTS LIST

(2/2)

MODEL : **NVG-230SL**

503373

ITEM	PART NO.	PART NAME	Q' ty
115	28208102	SPRING PIN	2
116	28209023	KEY	1
117	63910070	O RING	1
118	28699002	GREASE CUP	1
119	28100307	SET SCREW	1
120		NAME PLATE	1
121		NAME PLATE	1
201	24999128	TURNING SPANNER	1
202	24999132	FLANGE SPANNER	1
203	25004048	ALLEN WRENCH	1
204	25004050	SPANNER	1
	Contents of CP		
	15015722	GOVERNOR BODY CP	
	18, 19, 113		
	15015437	HANDLE WB	
	2, 3		
	15015527	HANDLE CAP WP	
	16, 20, 112		
	15015797	HANDLE CP	
	1, 2, 3, 4, 5, 6, 7, 8, 109, 114, 119		