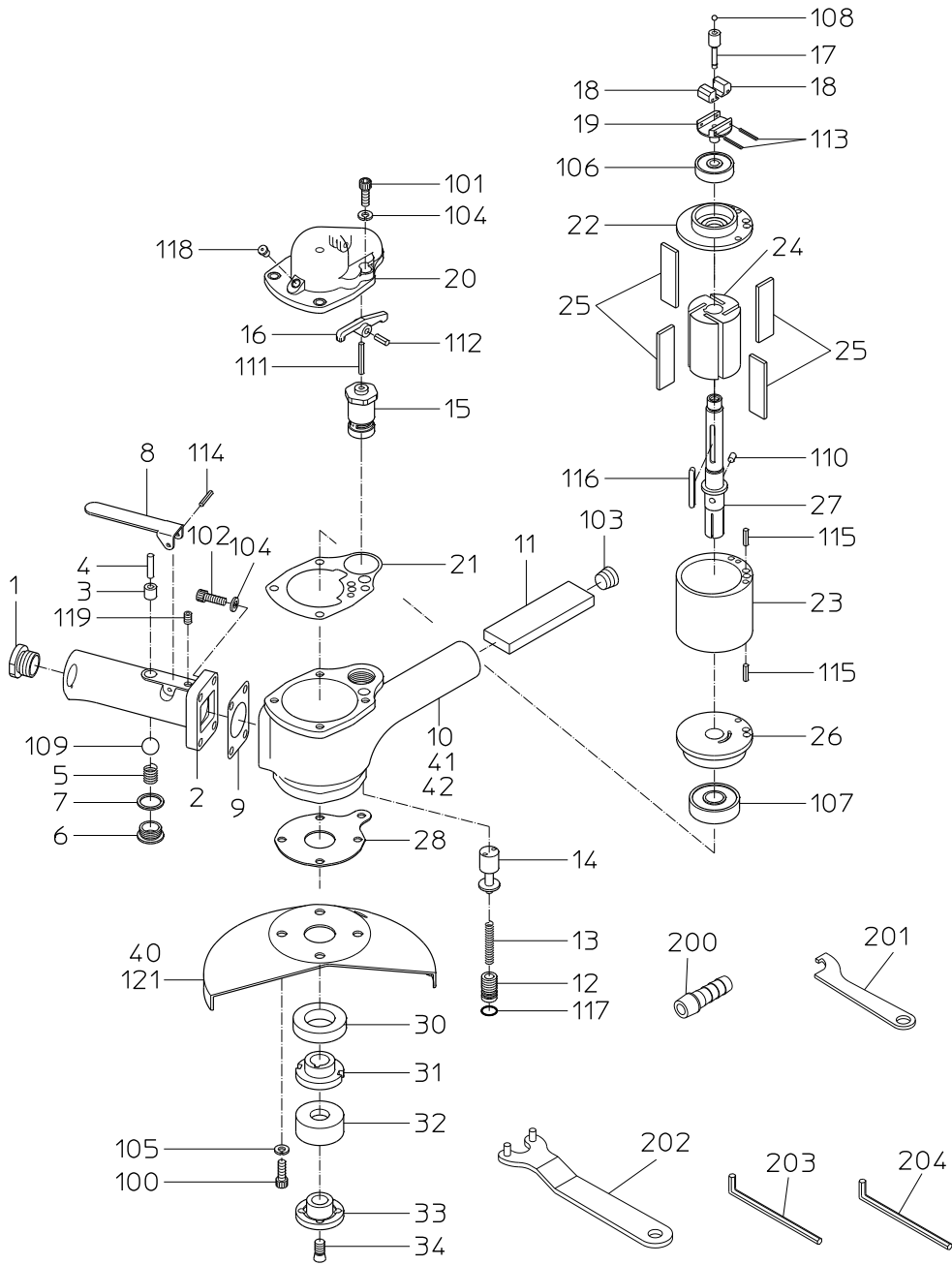


# PARTS LIST

## NVG-180SL

505611



MODEL : **NVG-180SL**

505611

ITEM	PART NO.	PART NAME	QTY	NOTE
1	15220028	INLET BUSHING	1	
2	15016217	HANDLE	1	
3	15009270	THROTTLE BUSH	1	
4	28207224	ROLLER PIN	1	
5	15009260	THROTTLE SPRING	1	
6	15009290	THROTTLE PLUG	1	
7	15009340	RUBBER PACKING	1	
8	15016185	LEVER	1	
9	15009030	SEAL PACKING	1	
10	15016216	ROTOR CASE	1	
11	15009150	OILER FELT	1	
12	15008770	ADJUST SCREW	1	
13	15009250	GOVERNOR SPRING	1	
14	15008780	GOVERNOR VALVE	1	
15	15009380	GOVERNOR BUSH	1	
16	15008860	GOVERNOR LEVER	1	
17	15009390	GOVERNOR SPINDLE	1	
18	15007710	GOVERNOR WEIGHT	2	
19	15007700	GOVERNOR BODY	1	
20	15016067	HANDLE CAP	1	
21	15009040	TOP SEAL	1	
22	15009420	TOP PLATE	1	
23	15009050	CYLINDER	1	
24	15009430	ROTOR	1	
25	15016114	VANE	4	
26	15009080	BOTTOM PLATE	1	
27	15009460	STONE SPINDLE	1	
28	15009120	BEARING COVER	1	
29	15017177	STONE COVER	1	
30	15009140	FELT RING	1	
31	15009410	STONE FLANGE	1	
32	15009010	STONE WASHER	1	
33	15006060	WHEEL NUT	1	
34	15006300	LOCK SCREW	1	
40	18400084	NAME PLATE (ARROW)	1	
41	18400463	NAME PLATE (WARNING)	1	
42		NAME PLATE (MODEL)	1	
100	28100358	CAP SCREW	4	
101	28100359	CAP SCREW	4	
102	28100360	CAP SCREW	4	
103	28100503	HEX. SOCKET PLUG	1	
104	28100525	SPRING WASHER	8	
105	28100526	SPRING WASHER	4	
106	28201088	BALL BEARING	1	
107	28201099	BALL BEARING	1	
108	25502120	STEEL BALL	1	
109	28205053	RUBBER BALL	1	

**NIPPON PNEUMATIC MFG. CO., LTD.**

MODEL: **NVG-180SL**

505611

ITEM	PART NO.	PART NAME	QTY	NOTE
110	28206087	PIN	1	
111	28206153	PIN	1	
112	28207131	ROLLER PIN	1	
113	28208030	SPRING PIN	2	
114	28208081	SPRING PIN	1	
115	28208102	SPRING PIN	2	
116	28209023	KEY	1	
117	63910070	O RING	1	
118	28699002	GREASE CUP	1	
119	28100307	SET SCREW	1	
200	24901041	HOSE NIPPLE	1	
201	24999128	TURNING SPANNER	1	
202	24999132	FLANGE SPANNER	1	
203	25004048	ALLEN WRENCH	1	
204	25004050	SPANNER	1	
		ASSY LIST		
	15015287	GOVERNOR BODY CP		
		18, 19, 113		
	15016896	HANDLE WB		
		2, 3		
	15016161	HANDLE CAP WP		
		16, 20, 112		
	15016897	HANDLE CP		
		1, 2, 3, 4, 5, 6, 7, 8, 109, 114, 119		