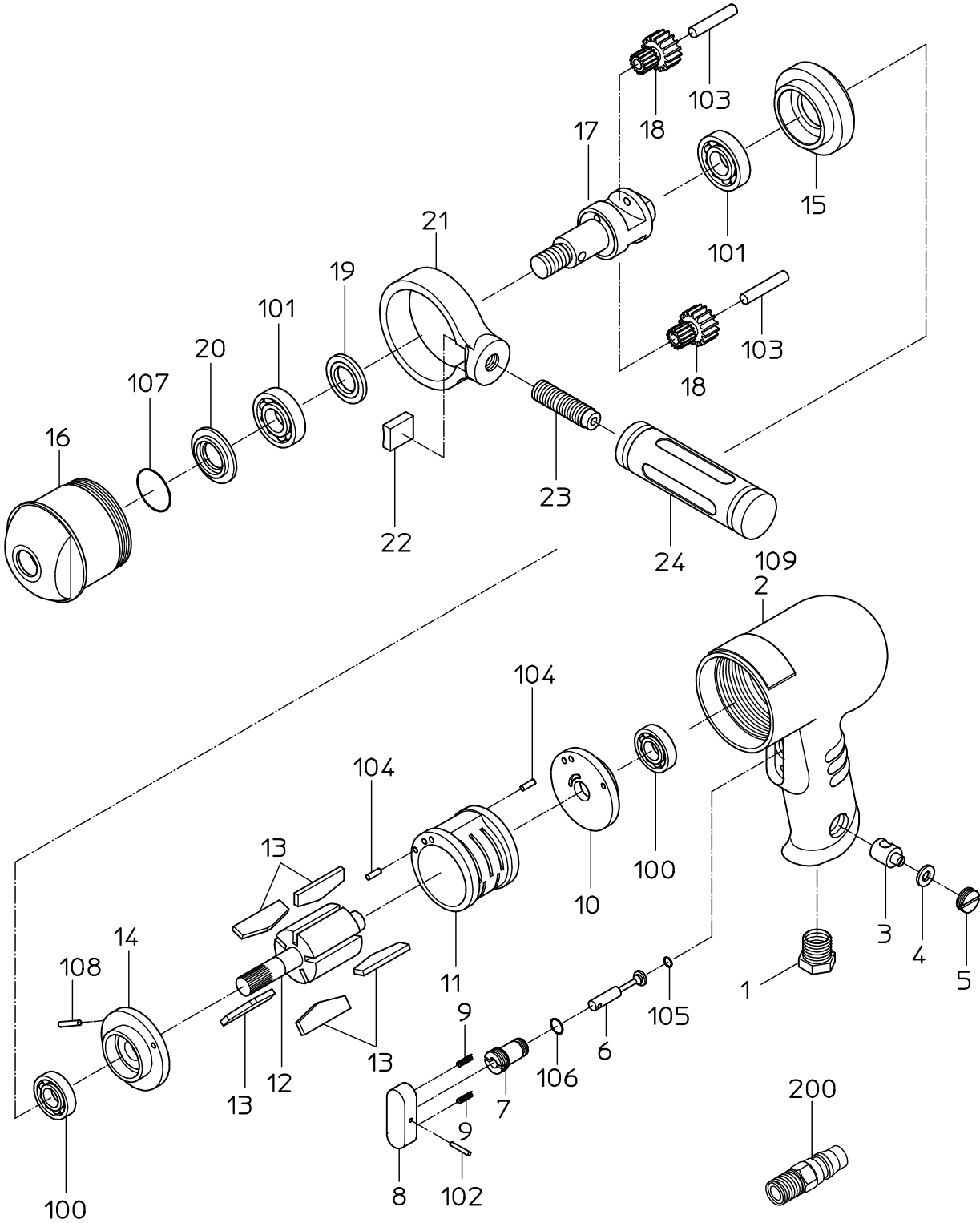


PARTS LIST

NRD-12PA(T)

511881



日本ニューマチック工業株式会社
NIPPON PNEUMATIC MFG. CO., LTD.

PARTS LIST

(1/1)

MODEL : **NRD-12PA(T)**

511881

ITEM	PART NO.	PART NAME	Q' ty
1	15204080	INLET BUSHING	1
2	Not available separately. Available only as HANDLE CP (P/No. 1510920)	HANDLE	1
3	15100580	ADJUSTER VALVE	1
4	15100690	RUBBER PACKING	1
5	15100590	ADJUSTER NUT	1
6	15100630	THROTTLE VALVE	1
7	Not available separately. Available only as HANDLE CP (P/No. 15106920)	THROTTLE BUSH	1
8	15106919	LEVER	1
9	15100570	RETURN SPRING	2
10	15100710	TOP PLATE	1
11	15100700	CYLINDER	1
12	15100740	ROTOR	1
13	15100720	VANE	5
14	15100730	BOTTOM PLATE	1
15	15100780	BEARING COVER	1
16	15100751	GEAR CASE	1
17	15100850	CHUCK SPINDLE	1
18	15100770	PLANET GEAR	2
19	15100830	WASHER	1
20	15100660	SPACER	1
21	15100680	HOLDER JOINT	1
22	15100790	SUPPORTER	1
23	15100810	SET SCREW	1
24	15100670	HOLDER	1
100	28201080	BALL BEARING	2
101	28201082	BALL BEARING	2
102	28208045	SPRING PIN	1
103	28299042	ROLLER PIN	2
104	28208044	SPRING PIN	2
105	61200040	O RING	1
106	63910060	O RING	1
107	63910120	O RING	1
108	28208019	SPRING PIN	1
109		NAME PLATE	1
200	24901010	COUPLER PLUG	1
	Contents of CP		
	15106920	HANDLE CP	
	1, 2, 3, 4, 5, 6, 7, 8, 9, 102, 105, 106		
	15106597	HOLDER CP	
	21, 22, 23, 24		
	15106675	HOLDER WB	
	23, 24		
	15106726	TOP PLATE WBR	
	10, 100		
	15106727	BOTTOM PLATE WBR	
	14, 100		