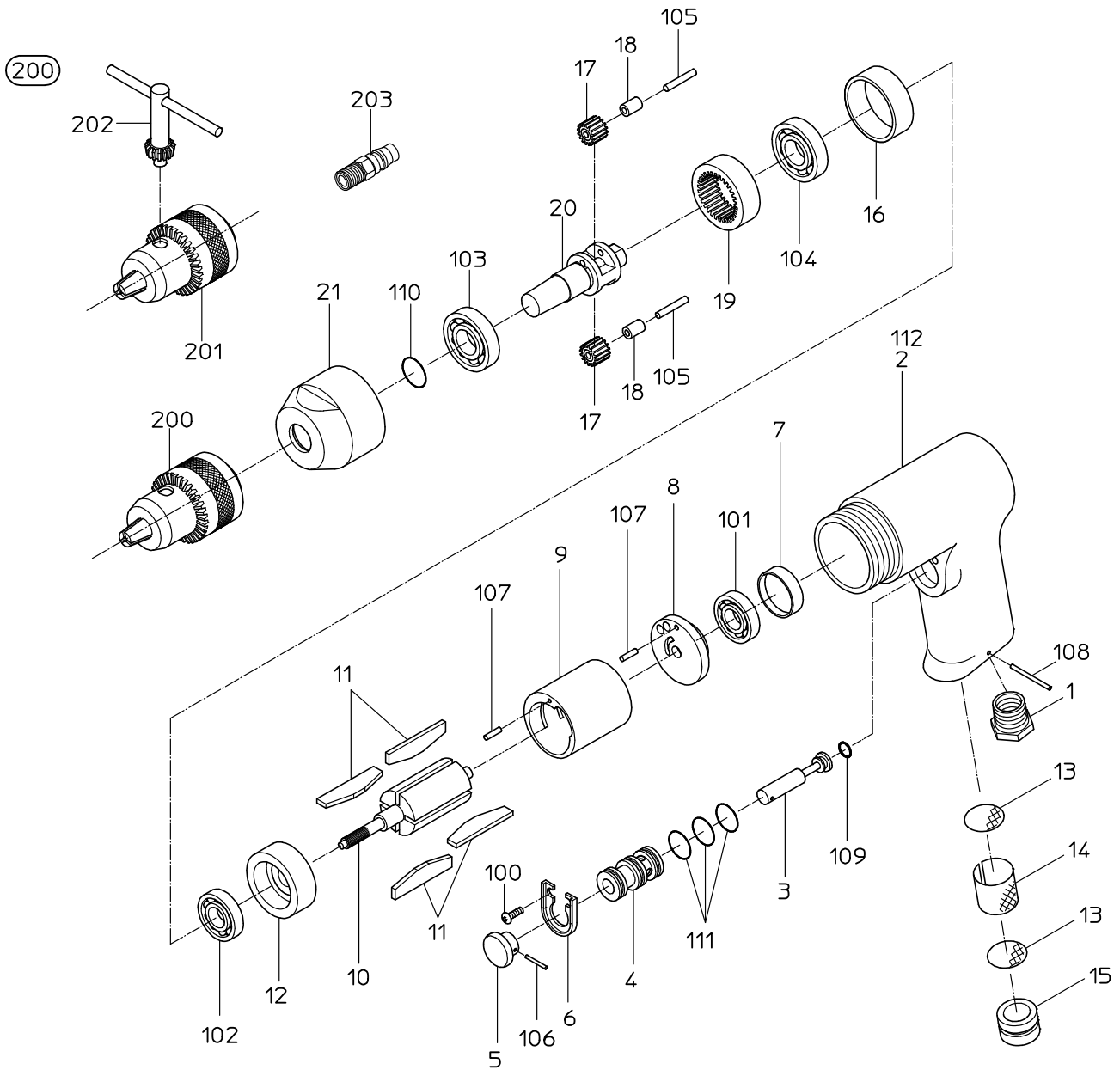


PARTS LIST

NRD-10P

510148



PARTS LIST

(1/1)

MODEL : **NRD-10P**

510148

ITEM	PART NO.	PART NAME	Q'ty
1	15100400	INLET BUSHING	1
2	Not available separately. Available only as HANDLE CP (P/No. 15106577)	HANDLE	1
3	15100420	THROTTLE VALVE	1
4	Not available separately. Available only as HANDLE CP (P/No. 15106577)	THROTTLE BUSH	1
5	15100440	LEVER	1
6	15100530	STOPPER	1
7	15100520	BEARING COVER	1
8	15100460	TOP PLATE	1
9	15100450	CYLINDER	1
10	15100480	ROTOR	1
11	15219947	VANE	4
12	15100470	BOTTOM PLATE	1
13	15100150	EXHAUST SCREEN	2
14	15100160	MUFFLER	1
15	15100140	EXHAUST COVER	1
16	15100540	BEARING BUSH	1
17	15100310	PLANET GEAR	2
18	15100320	GEAR BUSH	2
19	15100490	INTERNAL GEAR	1
20	15100510	CHUCK SPINDLE	1
21	15100500	SPINDLE CASE	1
100	25113010	SCREW	2
101	28201069	BALL BEARING	1
102	28201072	BALL BEARING	1
103	28201081	BALL BEARING	1
104	28201088	BALL BEARING	1
105	28207079	ROLLER PIN	2
106	28208014	SPRING PIN	1
107	28208024	SPRING PIN	2
108	28208030	SPRING PIN	1
109	61200060	O RING	1
110	61200150	O RING	1
111	63200140	O RING	3
112		NAME PLATE	1
200	24999042	DRILL CHUCK WH	0
201	24999034	DRILL CHUCK	0
202	24999028	CHUCK HANDLE	0
203	24901010	COUPLER PLUG	1
	CP リスト		
	15106560	PLANET GEAR WB	
	17, 18		
	15106577	HANDLE CP	
	1, 2, 3, 4, 5, 6, 13, 14, 15, 100, 106, 108, 109, 111		
	15106724	TOP PLATE WBR	
	8, 101		
	15106725	BOTTOM PLATE WBR	
	12, 102		