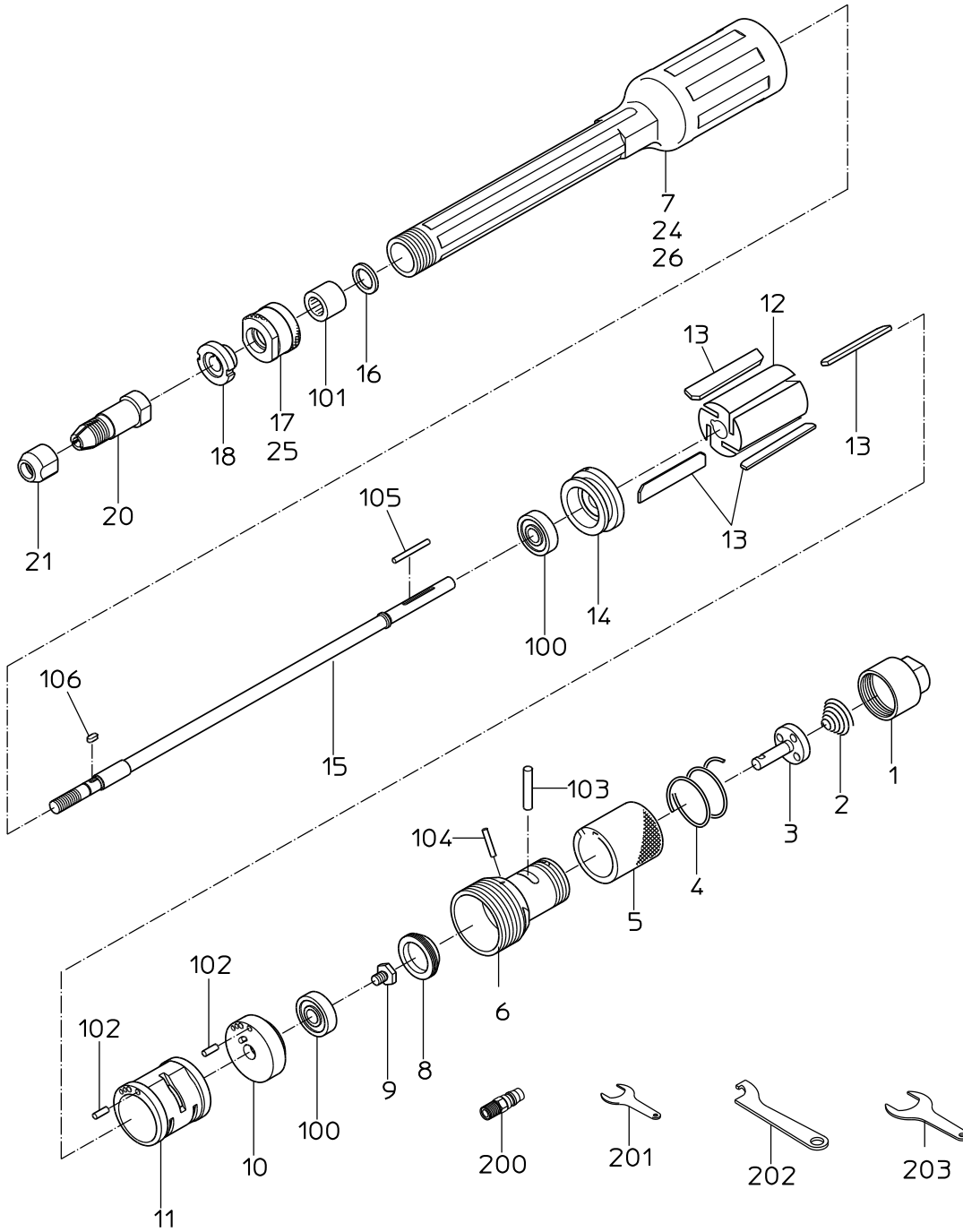


PARTS LIST

NHG-65LK

505237



MODEL : **NHG-65LK**

505237

ITEM	PART NO.	PART NAME	QTY	NOTE
1	15006960	INLET BUSHING	1	
2	15007640	THROTTLE SPRING	1	
3	15016883	THROTTLE VALVE	1	
4	15007660	PUSH SPRING	1	
5	15005990	GRIP	1	
6	15003400	HANDLE	1	
7	15017028	ROTOR CASE	1	
8	15003450	PLATE NUT	1	
9	15003460	LOCK SCREW	1	
10		TOP PLATE	1	Available as TOP PLATE WBR.
11	15003170	CYLINDER	1	
12	15003210	ROTOR	1	
13	15016110	VANE	4	
14		BOTTOM PLATE	1	Available as BOTTOM PLATE WBR.
15	15003390	STONE SPINDLE	1	
16	15003260	BEARING WASHER	1	
17	15003240	SPINDLE NUT	1	
18	15017076	STONE FLANGE	1	
20	15016923	COLLET BODY	1	
21	15015736	COLLET NUT	1	
24		NAME PLATE (MODEL)	1	
25	18400125	NAME PLATE (ARROW)	1	
26	18400463	NAME PLATE (WARNING)	1	
100	28201072	BALL BEARING	2	
101	28203074	NEEDLE BEARING	1	
102	28206036	PIN	2	
103	28206062	PIN	1	
104	28207052	ROLLER PIN	1	
105	28207067	ROLLER PIN	1	
106	28209010	KEY	1	
200	24901010	COUPLER PLUG	1	
201	24999108	SPANNER	1	
202	24999125	TURNING SPANNER	1	
203	24999174	SPANNER	1	
		ASSY LIST		
	15016885	HANDLE CP		
	15017159	TOP PLATE WBR		
	15017160	BOTTOM PLATE WBR		
	15016924	COLLET CHUCK CP		