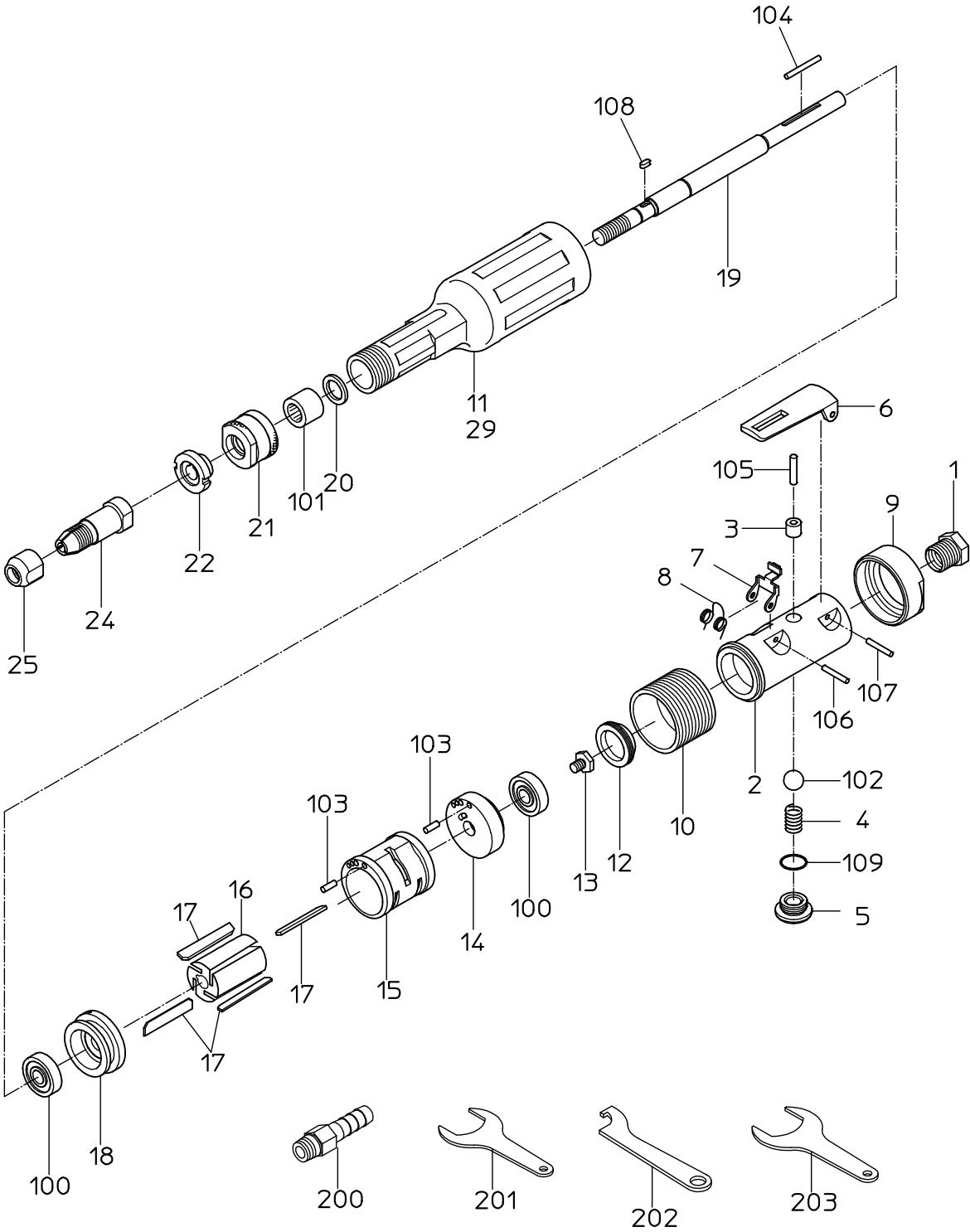


PARTS LIST

NHG-65KLV-20

501319



PARTS LIST

(1/2)

MODEL : **NHG-65KLW-20**

501319

ITEM	PART NO.	PART NAME	Q'ty
1	15204080	INLET BUSHING	1
2	Not available separately. Available only as HANDLE WB or HANDLE CP (P/No.15015261 No.15016046)	HANDLE	1
3	Not available separately. Available only as HANDLE WB or HANDLE CP (P/No.15015261 No.15016046)	THROTTLE BUSH	1
4	15102340	THROTTLE SPRING	1
5	15005490	THROTTLE PLUG	1
6	15005510	LEVER	1
7	15005520	STOPPER	1
8	15008230	SPRING	1
9	15003560	LOCK NUT	1
10	15003550	AIR CONNECTOR	1
11	15003220	ROTOR CASE	1
12	15003450	PLATE NUT	1
13	15003460	LOCK SCREW	1
14	15003440	TOP PLATE	1
15	15003170	CYLINDER	1
16	15003210	ROTOR	1
17	15016110	VANE	4
18	15003200	BOTTOM PLATE	1
19	15003250	STONE SPINDLE	1
20	15003260	BEARING WASHER	1
21	15003240	SPINDLE NUT	1
22	15003140	STONE FLANGE	1
24	Not available separately. Available only as CYLINDER WB (P/No.15015755)	COLLET BODY(6.35)	1
25	Not available separately. Available only as CYLINDER WB (P/No.15015755)	COLLET NUT	1
29		NAME PLATE	1
100	28201072	BALL BEARING	2
101	28203074	NEEDLE BEARING	1
102	28205051	RUBBER BALL	1
103	28206036	PIN	2
104	28207067	ROLLER PIN	1
105	28207233	ROLLER PIN	1
106	28208061	SPRING PIN	1
107	25305020	SPRING PIN	1
108	28209010	KEY	1
109	61200120	O RING	1
200	24901038	HOSE NIPPLE	1
201	24999108	SPANNER	1
202	24999125	TURNING SPANNER	1
203	24999174	SPANNER	1
	Contents of CP		
	15015261	HANDLE WB	
	2, 3		

PARTS LIST

(2/2)

MODEL : **NHG-65KLW-20**

501319

ITEM	PART NO.	PART NAME	Q' ty
	15016046	HANDLE CP	
	1, 2, 3, 4, 5, 6, 7, 8, 9, 102, 105, 106, 107, 109		
	15015656	TOP PLATE WBR	
	14, 100		
	15015657	BOTTOM PLATE WBE	
	18, 100		
	15015755	COLLET CHUCK CP	
	24, 25		