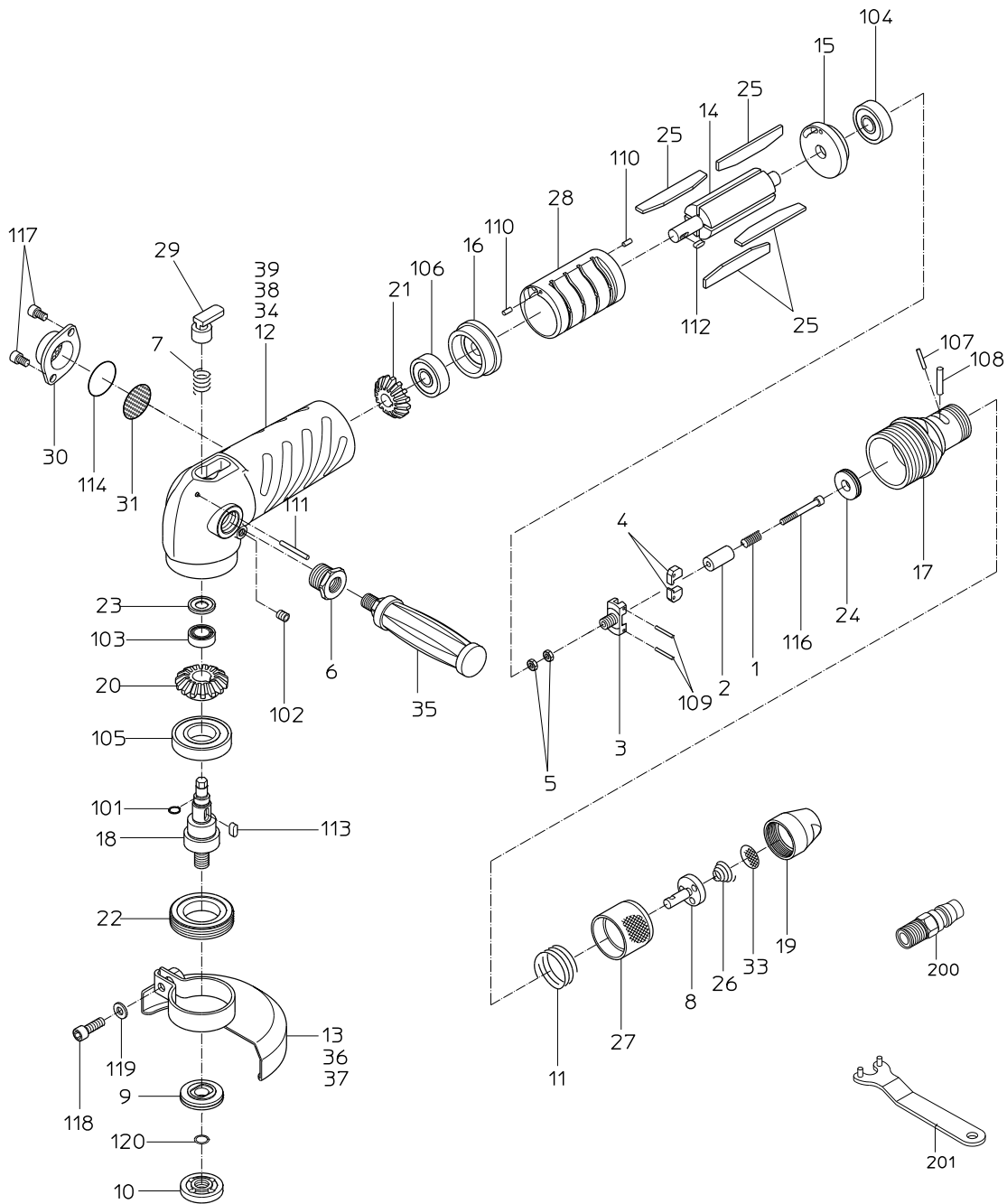


PARTS LIST

NGP-100

505632



MODEL : **NGP-100**

505632

ITEM	PART NO.	PART NAME	QTY	NOTE
1	15006870	GOVERNOR SPRING	1	
2	15006920	GOVERNOR VALVE	1	
3	15006930	GOVERNOR BODY	1	
4	15006940	GOVERNOR WEIGHT	2	
5	15007720	GOVERNOR NUT	2	
6	15008050	SOCKET	1	
7	15010530	SPINDLE SPRING	1	
8	15015504	THROTTLE VALVE	1	
9	15015727	STONE FLANGE	1	
10	15015728	WHEEL NUT	1	
11	15016090	PUSH SPRING	1	
12	15015758	ROTOR CASE	1	
13	15015534	STONE COVER	1	
14	15015539	ROTOR	1	
15		TOP PLATE	1	*Available as TOP PLATE WBR
16		BOTTOM PLATE	1	*Available as BOTTOM PLATE WBR
17		HANDLE	1	*Available as HANDLE WB
18	15015543	STONE SPINDLE	1	
19	15015544	INLET BUSHING	1	
20	15015545	SPINDLE GEAR	1	
21	15015546	ROTOR GEAR	1	
22	15015547	SPINDLE NUT	1	
23	15015548	WASHER	1	
24		GOVERNOR BUSH	1	*Available as HANDLE WB
25	15016156	VANE	4	
26	15015552	THROTTLE SPRING	1	
27	15015567	GRIP	1	
28	15015590	CYLINDER	1	
29	15010680	SPINDLE CLUTCH	1	
30	15015369	EXHAUST COVER	1	
31	15015597	EXHAUST SCREEN	1	
33	15400110	SCREEN	1	
34		NAME PLATE (MODEL)	1	
35	15007801	HOLDER	1	
36	18400739	NAME PLATE (ARROW)	1	
37	18400641	NAME PLATE (WARNING)	1	
38	18400128	NAME PLATE (ON OFF)	1	
39	18400463	NAME PLATE (WARNING)	1	
101	25307480	RETAINING RING	1	
102	28100428	SET SCREW	1	
103	28201077	BALL BEARING	1	
104	28201079	BALL BEARING	1	
105	28201083	BALL BEARING	1	
106	28201087	BALL BEARING	1	
107		ROLLER PIN	1	*Available as HANDLE WB
108	28207110	ROLLER PIN	1	
109	28208025	SPRING PIN	2	

NIPPON PNEUMATIC MFG. CO., LTD.

MODEL : **NGP-100**

505632

ITEM	PART NO.		PART NAME	QTY	NOTE
110	28208044		SPRING PIN	2	
111	28208062		SPRING PIN	1	
112	28209011		KEY	1	
113	28209017		KEY	1	
114	28399062		O RING	1	
116	74004035		CAP SCREW	1	
117	74005008		CAP SCREW	2	
118	74006018		CAP SCREW	1	
119	76310206		WASHER	1	
120	63200080		O RING	1	
200	24901011		COUPLER PLUG	1	
201	24999172		FLANGE SPANNER	1	
			ASSY LIST		
	15015273		GOVERNOR CP		
		1, 2, 3, 4, 5, 109, 116			
	15017093		HANDLE WB		
		17, 24, 107			
	15017094		HANDLE CP		
		8, 11, 17, 19, 24, 26, 27, 33, 107, 108			
	15015804		STONE COVER CP		
		13, 36, 118, 119			
	15015825		TOP PLATE WBR		
		15, 104			
	15015826		BOTTOM PLATE WBR		
		16, 106			