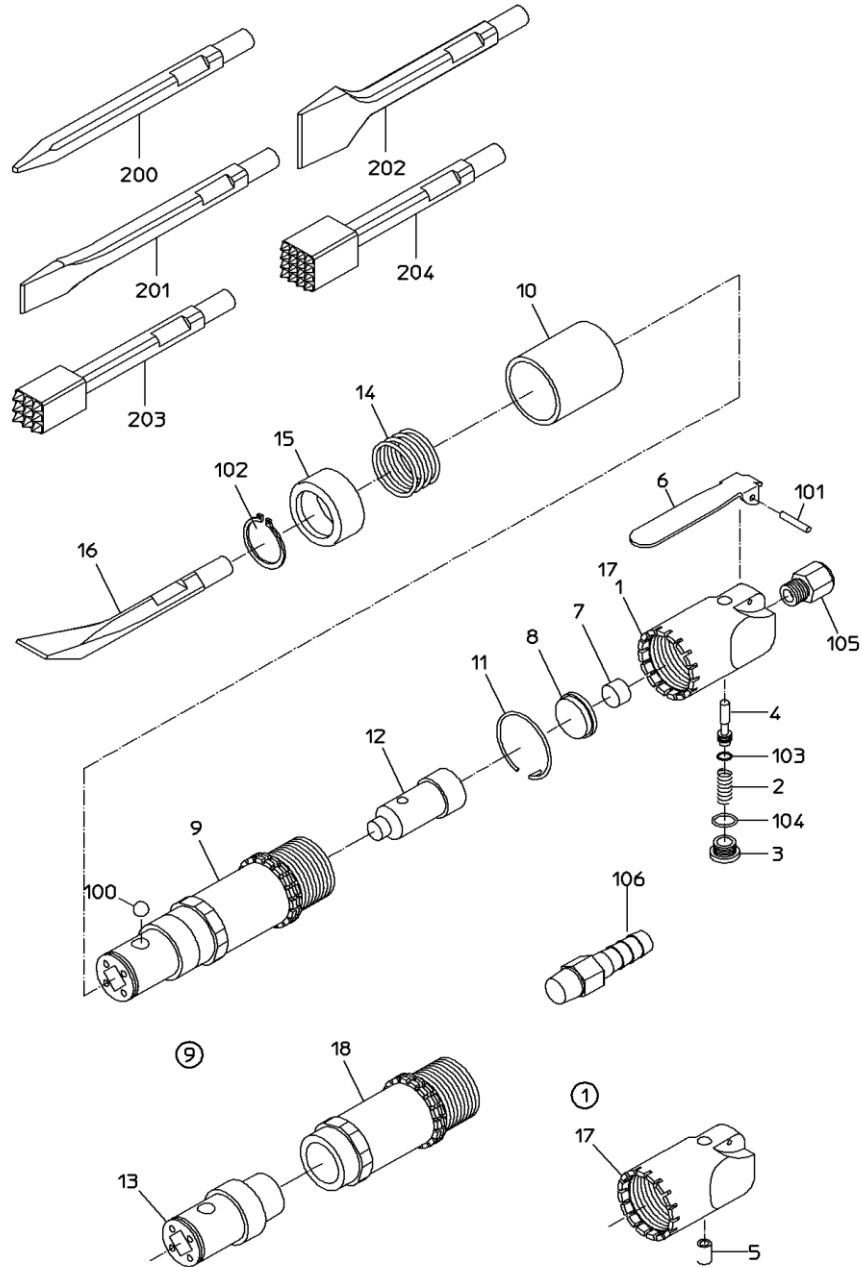


PARTS LIST

NF-25F

606234



MODEL : **NF-25F**

606234

ITEM	PART NO.		PART NAME	QTY	NOTE
1			HANDLE	1	*Available as HANDLE WB
2	17509600		THROTTLE SPRING	1	
3	17514953		THROTTLE PLUG	1	
4	17509660		THROTTLE VALVE	1	
5			THROTTLE BUSH	1	*Available as HANDLE WB
6	17509470		LEVER	1	
7	17509680		CUSHION PACKING	1	
8	17509690		CUSHION SHEAT	1	
9			CYLINDER	1	*Available as CYLINDER WB
10	17509640		GRIPE	1	
11	17509700		STOPPER RING	1	
12	17514933		PISTON	1	
13			CHISEL HOLDER	1	*Available as CYLINDER WB
14	17509590		CUSHION SPRING	1	
15	17509710		BALL HOLDER	1	
16	17509760		ANGLE FLAT CHISEL	1	
17	18400665		NAME PLATE (WARNING)	1	
100	25502100		STEEL BALL	1	
101	28208062		SPRING PIN	1	
102	25307540		RETAINING RING	1	
103	61200060		O RING	1	
104	61200110		O RING	1	
105	24901020		NIPPLE STEAD	1	
106	24901038		HOSE NIPPLE	1	
			[OPTION]		
200	17509770		DEMOLITION POINT CHISEL	0	
201	17509780		FLAT CHISEL	0	
202	17509790		WIDE FLAT CHISEL	0	
203	17509800		SCRAPER HEAD (9T)	0	
204	17509810		SCRAPER HEAD (16T)	0	
			ASSY LIST		
	17515065		HANDLE WB		
		1, 5			
	17514768		CYLINDER WB		
		9, 13			
	17515064		HANDLE CP		
		1, 2, 3, 4, 5, 6, 101, 103, 104, 105			