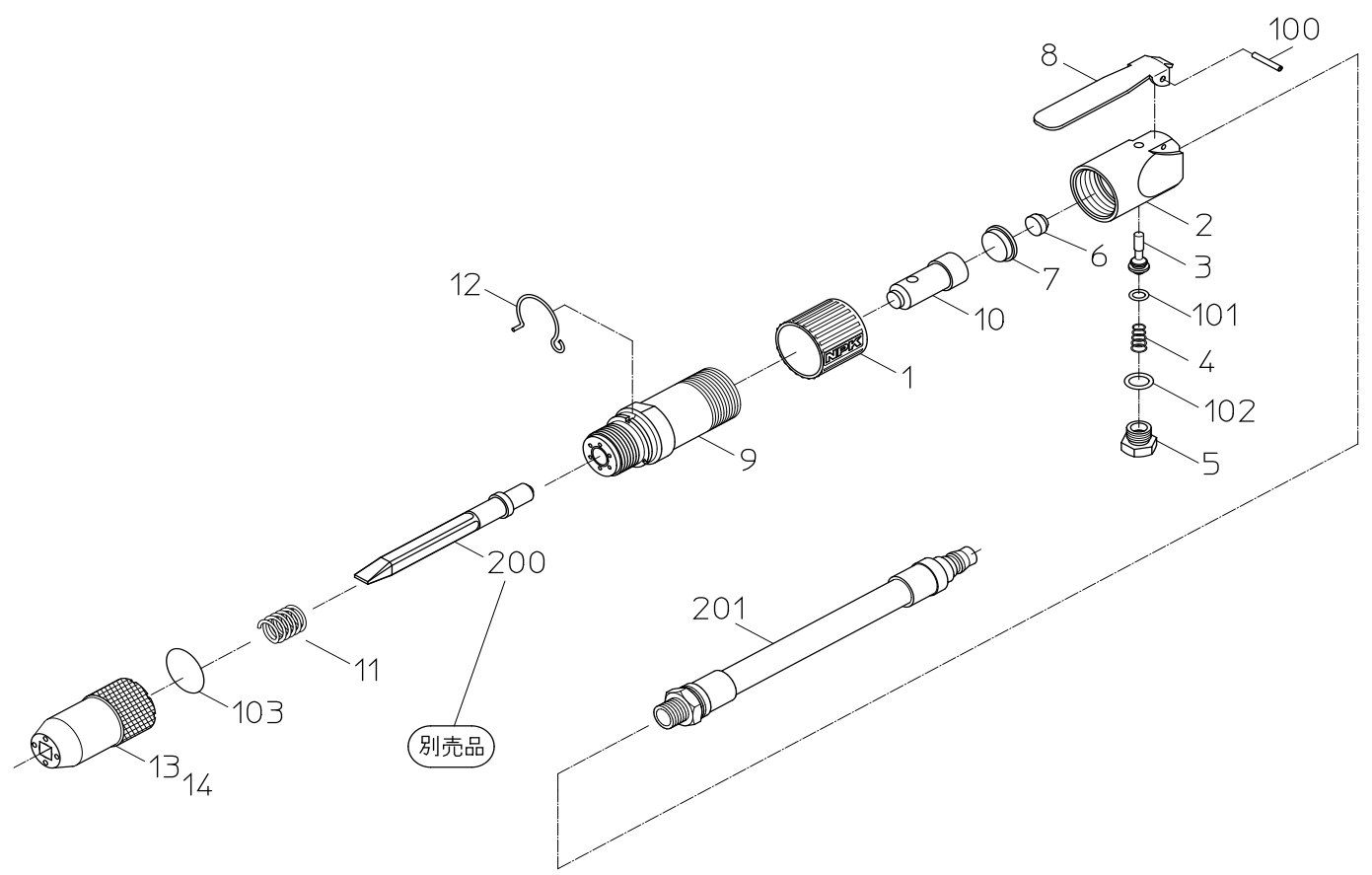


PARTS LIST

NF-20

506313



MODEL : **NF-20**

506313

ITEM	PART NO.		PART NAME	QTY	NOTE
1	17514834		CASE COVER	1	
2	15404560		HANDLE	1	
3	15404570		THROTTLE VALVE	1	
4	17509090		THROTTLE SPRING	1	
5	17514953		THROTTLE PLUG	1	
6	17509200		CUSHION PACKING	1	
7	17514838		CUSHION SHEAT	1	
8	17515268		LEVER	1	
9	17514829		CYLINDER	1	
10	17514883		PISTON	1	
11	17514833		CUSHION SPRING	1	
12	17509530		STOPPER RING	1	
13	17514830		CHISEL HOLDER	1	
14	18400665		NAME PLATE (WARNING)	1	
100	28299050		GROOVED PIN	1	
101	61200070		O RING	1	
102	61200110		O RING	1	
103	63200250		O RING	1	
				1	
			[OPTION]		
200	17300842	130L	CHISEL		
	17300843	155L	CHISEL		
	17300844	200L	CHISEL		
	17300846	300L	CHISEL		
201	24905056		SHORT HOSE		
			ASSY LIST		
	15414488		HANDLE CP		
			2, 3, 4, 5, 8, 100, 101, 102		