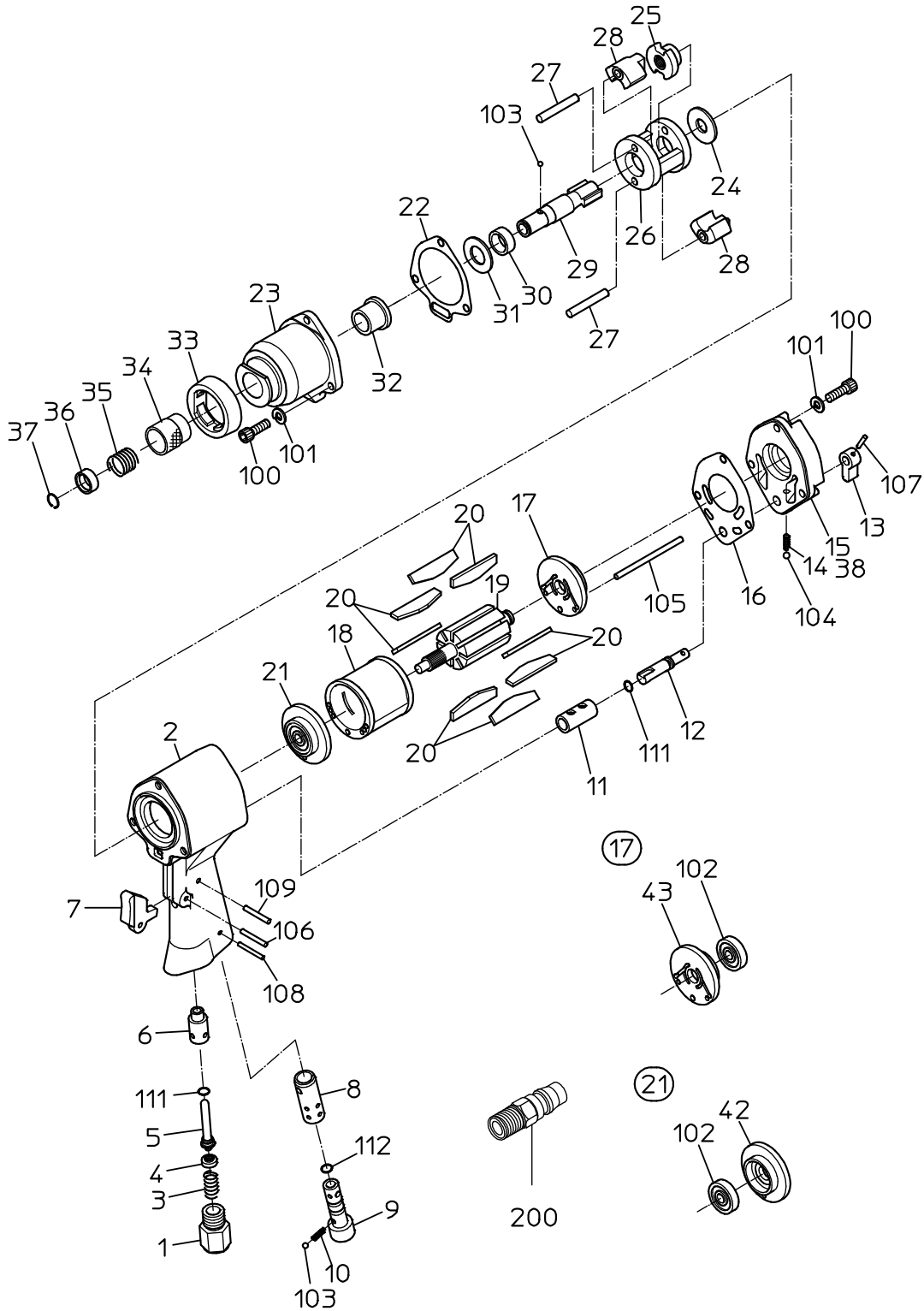


# PARTS LIST

## ND-6PD(Y)

525918



日本ニューマチック工業株式会社  
NIPPON PNEUMATIC MFG. CO., LTD.

# パーツリスト PARTS LIST

(1/2)

MODEL : **ND-6PDY**

525918

ITEM	PART NO.	PART NAME	Q' ty
1	15200420	INLET BUSHING	1
2	Not available separately. Available only as HANDLE WB or HANDLE CP (P/No. 15219722 No. 15220100)	HANDLE	1
3	15200390	THROTTLE SPRING	1
4	15203750	THROTTLE CAP	1
5	15203760	THROTTLE VALVE	1
6	15203740	THROTTLE BUSH	1
7	15203810	LEVER	1
8	15203730	ADJUSTER BUSHING	1
9	15219961	ADJUSTER VALVE	1
10	15200930	SPRING	1
11	15203800	REVERSE BUSH	1
12	15203790	REVERSE VALVE	1
13	15205130	REVERSE LEVER	1
14	15205040	SPRING	1
15	15203780	HANDLE CAP	1
16	15203920	TOP SEAL	1
17	15219958	TOP PLATE WBR	1
18	15219999	CYLINDER	1
19	15219778	ROTOR	1
20	15219947	VANE	8
21	15219960	BOTTOM PLATE WBR	1
22	15203930	BOTTOM SEAL	1
23	Not available separately. Available only as HAMMER CASE WB or HAMMER CASE CP (P/No. 15219780 No. 15219329)	HAMMER CASE	1
24	15203840	SPACER	1
25	15200250	SCREW DRIVER	1
26	15200260	HAMMER FRAME	1
27	15219914	HAMMER PIN	2
28	15203890	HAMMER	2
29	15217000	ANVIL	1
30	15203820	ANVIL BUSH	1
31	15203850	THRUST WASHER	1
32	15203880	CASE BUSH	1
33	15204010	RUBBER CAP	1
34	15217090	BALL HOLDER	1
35	15216560	PUSH SPRING	1
36	15217080	STOPPER WASHER	1
37	15216690	STOPPER RING	1
38		NAME PLATE	1
100	74005014	CAP SCREW	6
101	76410105	SPRING WASHER	6
103	28205023	STEEL BALL	2
104	25502120	STEEL BALL	1
105	28206047	PIN	1
106	28208060	SPRING PIN	1
107	28208045	SPRING PIN	1
108	28208050	SPRING PIN	1
109	28208062	SPRING PIN	1
111	61200050	O RING	2
112	61200070	O RING	1

# パーツリスト PARTS LIST

(2/2)

MODEL : **ND-6PDY**

525918

ITEM	PART NO.	PART NAME	Q' ty
	ASSY LIST		
【17】	15219958	TOP PLATE WBR	
(43)	15219957	TOP PLATE	1
(102)	28201023	BALL BEARING	1
【21】	15219960	BOTTOM PLATE WBR	
(42)	15219959	BOTTOM PLATE	1
(102)	28201023	BALL BEARING	1
	15219722	HANDLE WB 2, 6, 8, 11, 109	
	15219329	HAMMER CASE CP 23, 32, 33	
	15220100	HANDLE CP 1, 2, 3, 4, 5, 6, 7, 8, 9, 10, 11 103, 106, 108, 109, 111, 000	
	15219780	HAMMER CASE WB 23, 32	