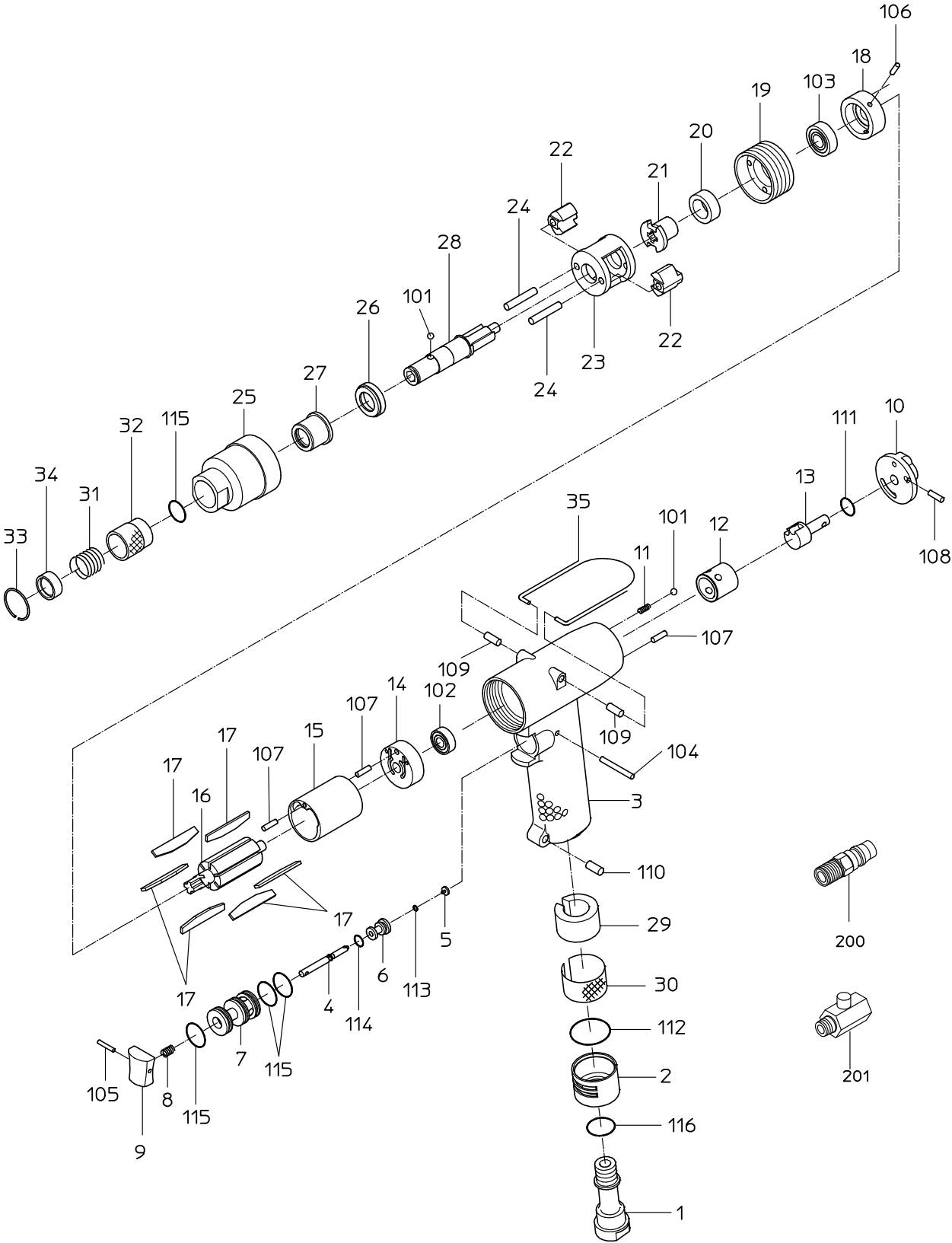


PARTS LIST

ND-5LP(X)

525713



PARTS LIST

(1/2)

MODEL : **ND-5LP (X)**

525713

| ITEM | PART NO. | PART NAME | Q' ty |
|------|---|-----------------|-------|
| 1 | 15212630 | INLET BUSHING | 1 |
| 2 | 15212620 | EXHAUST COVER | 1 |
| 3 | Not available separately. Available only as HANDLE WB or HANDLE CP (P/No. 15219812 No. 15219813) | HANDLE | 1 |
| 4 | 15212660 | THROTTLE PIN | 1 |
| 5 | 15212670 | THROTTLE PLUG | 1 |
| 6 | 15219688 | THROTTLE VALVE | 1 |
| 7 | 15212640 | THROTTLE BUSH | 1 |
| 8 | 15212600 | THROTTLE SPRING | 1 |
| 9 | 15212720 | LEVER | 1 |
| 10 | 15212710 | REVERSE LEVER | 1 |
| 11 | 15212610 | SPRING | 1 |
| 12 | Not available separately. Available only as HANDLE WB or HANDLE CP (P/No. 15219812 No. 15219813) | REVERSE BUSH | 1 |
| 13 | 15214350 | REVERSE VALVE | 1 |
| 14 | Not available separately. Available only as TOP PLATE WBR (P/No. 15219839) | TOP PLATE | 1 |
| 15 | 15219986 | CYLINDER | 1 |
| 16 | 15214460 | ROTOR | 1 |
| 17 | 15219944 | VANE | 6 |
| 18 | Not available separately. Available only as BOTTOM PLATE WBR (P/No. 15219840) | BOTTOM PLATE | 1 |
| 19 | 15214470 | LOCK NUT | 1 |
| 20 | 15214390 | DRIVER BUSH | 1 |
| 21 | 15214380 | SCREW DRIVER | 1 |
| 22 | 15214420 | HAMMER | 2 |
| 23 | 15216450 | HAMMER FRAME | 1 |
| 24 | 15216440 | HAMMER PIN | 2 |
| 25 | Not available separately. Available only as HAMMER CASE CP or HAMMER CASE WB (P/No. 15219349 No. 15219794) | HAMMER CASE | 1 |
| 26 | 15200120 | SPACER | 1 |
| 27 | Not available separately. Available only as HAMMER CASE CP or HAMMER CASE WB (P/No. 15219349 No. 15219794) | CASE BUSH | 1 |
| 28 | 15217020 | ANVIL | 1 |
| 29 | 15212920 | MUFFLER | 1 |
| 30 | 15213010 | SCREEN | 1 |
| 31 | 15216560 | PUSH SPRING | 1 |
| 32 | 15217090 | BALL HOLDER | 1 |
| 33 | 15216690 | STOPPER RING | 1 |
| 34 | 15217080 | STOPPER WASHER | 1 |
| 35 | 15216180 | HANGER | 1 |
| 101 | 28205023 | STEEL BALL | 2 |
| 102 | 28201033 | BALL BEARING | 1 |
| 103 | 28201077 | BALL BEARING | 1 |
| 104 | 28206149 | PIN | 1 |

PARTS LIST

(2/2)

MODEL : **ND-5LP (X)**

525713

| ITEM | PART NO. | PART NAME | Q' ty |
|------|--|-------------------|-------|
| 105 | 28208025 | SPRING PIN | 1 |
| 106 | 28208042 | SPRING PIN | 1 |
| 107 | 28208044 | SPRING PIN | 3 |
| 108 | 25305550 | SPRING PIN | 1 |
| 109 | 28208097 | SPRING PIN | 2 |
| 110 | 28208115 | SPRING PIN | 1 |
| 111 | 61200060 | O RING | 1 |
| 112 | 61200200 | O RING | 1 |
| 113 | 63200020 | O RING | 1 |
| 114 | 63200060 | O RING | 1 |
| 115 | 63200125 | O RING | 4 |
| 116 | 63200160 | O RING | 1 |
| 201 | 24999065 | POWER REGULATOR | 1 |
| | | | |
| | ASSY LIST | | |
| | 15219299 | THROTTLE VALVE CP | |
| | 4, 5, 6, 7, 8, 9, 105, 113, 114, 115 | | |
| | | | |
| | 15219813 | HANDLE CP | |
| | 1, 2, 3, 4, 5, 6, 7, 8, 9, 10, 11, 12, 13, 29, 30, 101, 104, 105 | | |
| | 107, 108, 109, 110, 111, 112, 113, 114, 115, 116 | | |
| | | | |
| | 15219349 | HAMMER CASE CP | |
| | 25, 27, 115 | | |
| | | | |
| | 15219839 | TOP PLATE WBR | |
| | 14, 102 | | |
| | | | |
| | 15219840 | BOTTOM PLATE WBR | |
| | 18, 103 | | |
| | | | |
| | 15219812 | HANDLE WB | |
| | 3, 12, 107, 109, 110 | | |
| | | | |
| | 15219794 | HAMMER CASE WB | |
| | 25, 27 | | |
| | | | |