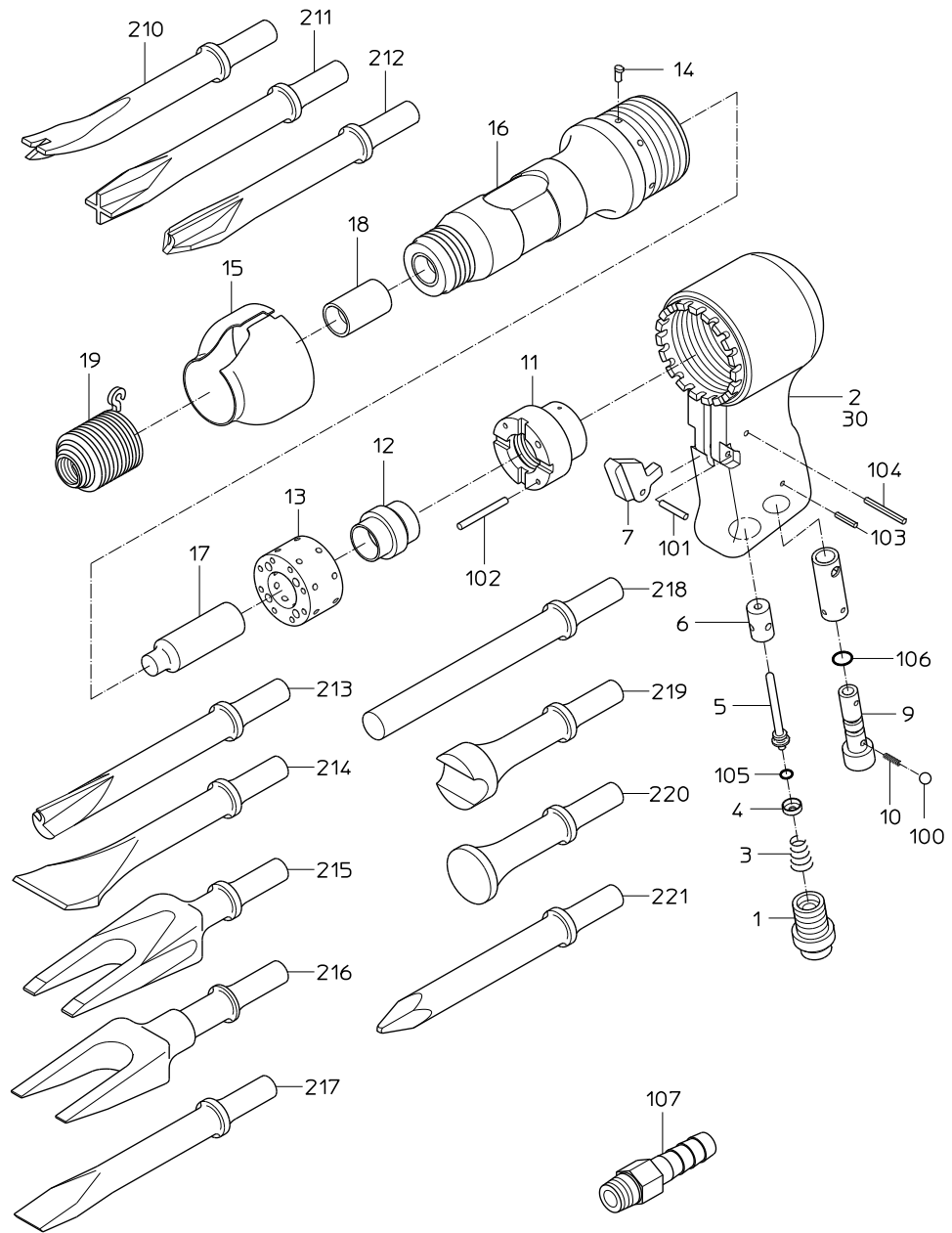


PARTS LIST

NBH-600A

606661



MODEL : **NBH-600A**

606661

ITEM	PART NO.	PART NAME	QTY	NOTE
1	15205580	INLET BUSHING	1	
2	17515272	HANDLE ASSY	1	Available as HANDLE WB or HANDLE CP.
3	15204250	THROTTLE SPRING	1	
4	15203750	THROTTLE CAP	1	
5	15204270	THROTTLE VALVE	1	
6	15204260	THROTTLE BUSH	1	Available as HANDLE WB or HANDLE CP.
7	15205140	LEVER	1	
9	15205050	ADJUSTER VALVE	1	
10	15200930	SPRING	1	
11	17500390	VALVE SHEET	1	
12	17515142	VALVE	1	
13	17500380	VALVE BOX	1	
14	17500580	STOPPER PIN	1	
15	17500350	EXHAUST COVER	1	
16	17515013	CYLINDER	1	*Available as CYLINDER WB.
17	17500330	PISTON	1	
18	17500320	SHANK BUSHING	1	*Available as CYLINDER WB.
19	17500340	QUICK SPRING	1	
30	18400665	NAME PLATE (WARNING)	1	
100	28205023	STEEL BALL	1	
101	28207061	ROLLER PIN	1	
102	28207092	ROLLER PIN	1	
103	28208052	SPRING PIN	1	
104	25305020	SPRING PIN	1	
105	61200050	O RING	1	
106	61200070	O RING	1	
107	24901038	HOSE NIPPLE	1	
		OPTION		
210	17500400	PANEL CUTTER	0	
211	17500410	SHEET METAL CUTTER	0	
212	17500420	MUFFLER CUTTER	0	
213	17500430	BUSHING REMOVER	0	
214	17500440	PAINT SCRAPER	0	
215	17500450	FORK CHISEL (19)	0	
216	17500460	FORK CHISEL (25)	0	
217	17500500	FLAT CHISEL	0	
218	17500470	STRAIGHT PUNCH	0	
219	17500480	TIE ROD TOOL	0	
220	17500490	SMOOTHING TOOL	0	
221	17500510	DEMOLITION POINT	0	
		ASSY LIST		
	17515097	CYLINDER WB		
		16, 18		
	17515273	HANDLE WB		
		2, 6, 8, 104		
	17515274	HANDLE CP		
		1, 2, 6, 3, 4, 5, 7, 8, 9, 10, 100, 101, 103, 104, 105, 106		

NIPPON PNEUMATIC MFG. CO., LTD.