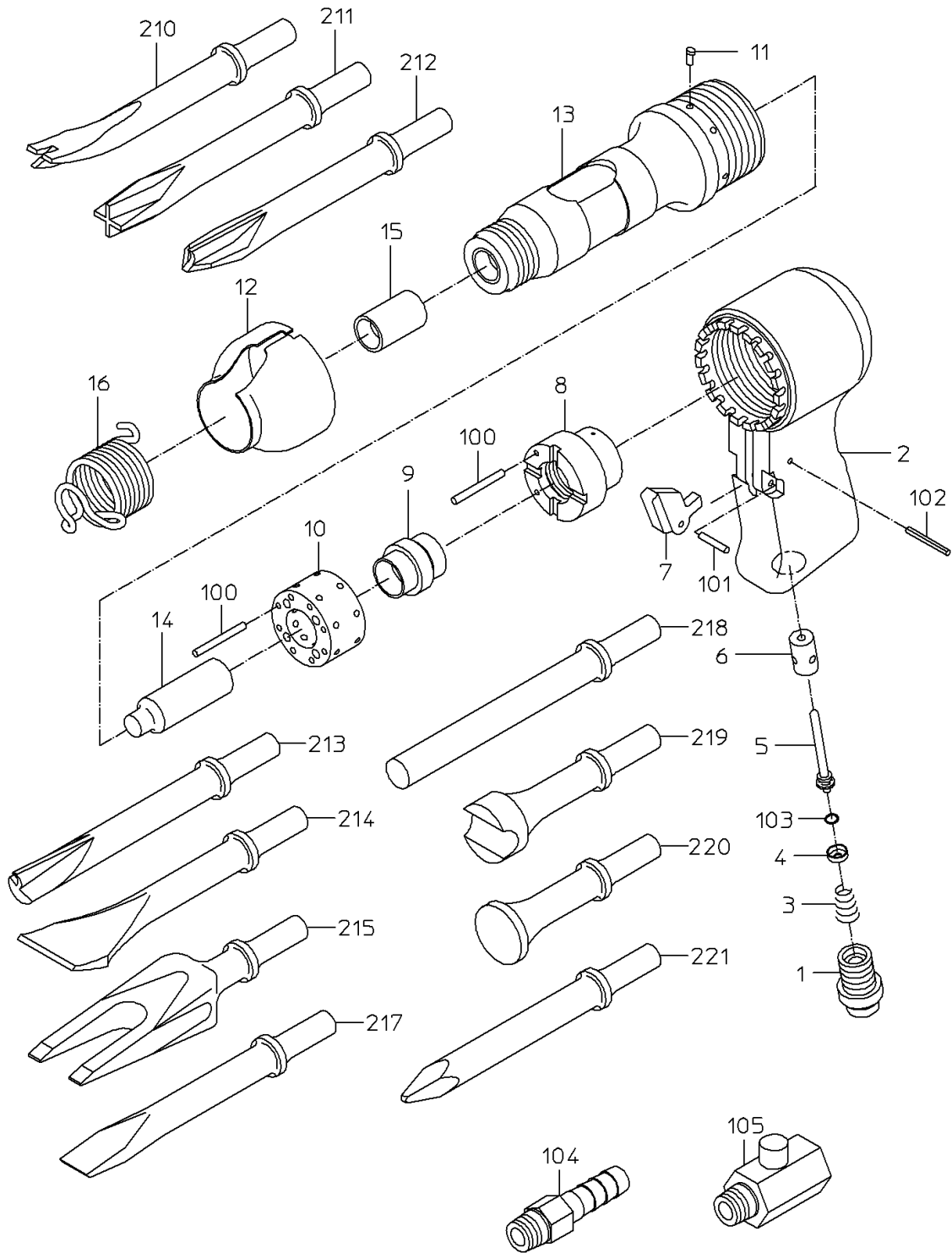


PARTS LIST

NBH-400

600018



NIPPON PNEUMATIC MFG. CO., LTD.

PARTS LIST

(1/1)

MODEL : **NBH-400**

600018

ITEM	PART NO.	PART NAME	Q' ty
1	15205580	INLET BUSHING	1
2	Not available separately. Available only as HANDLE CP (P/No. 17515036)	HANDLE	1
3	15204250	THROTTLE SPRING	1
4	15203750	THROTTLE CAP	1
5	15204270	THROTTLE VALVE	1
6	Not available separately. Available only as HANDLE CP (P/No. 17515036)	THROTTLE BUSH	1
7	15203810	LEVER	1
8	17500100	VALVE SHEET	1
9	17514699	VALVE	1
10	17500090	VALVE BOX	1
11	17500280	STOPPER PIN	1
12	17500060	EXHAUST COVER	1
13	Not available separately. Available only as CYLINDER WB (P/No. 17515001)	CYLINDER	1
14	17500030	PISTON	1
15	Not available separately. Available only as CYLINDER WB (P/No. 17515001)	SHANK BUSHING	1
16	17500050	QUICK SPRING	1
100	28207038	ROLLER PIN	2
101	28207061	ROLLER PIN	1
102	25305020	SPRING PIN	1
103	61200050	O RING	1
105	24999065	POWER REGULATOR	1
	Option		
210	17500110	PANEL CUTTER	
211	17500120	SHEET METAL CUTTER	
212	17500130	MUFFLER CUTTER	
213	17500140	BUSHING REMOVER	
214	17500150	PAINT SCRAPER	
215	17500200	FORK CHISEL (16)	
217	17500190	FLAT CHISEL	
218	17500160	STRAIGHT PUNCH	
219	17500170	TIE ROD TOOL	
220	17500180	SMOOTHING TOOL	
221	17500220	DEMOLITION POINT CHISEL	
	ASSY LIST		
	17515036	HANDLE CP	
	1, 2, 3, 4, 5, 6, 7, 101, 102, 103		
	17515001	CYLINDER WB	
	13, 15		