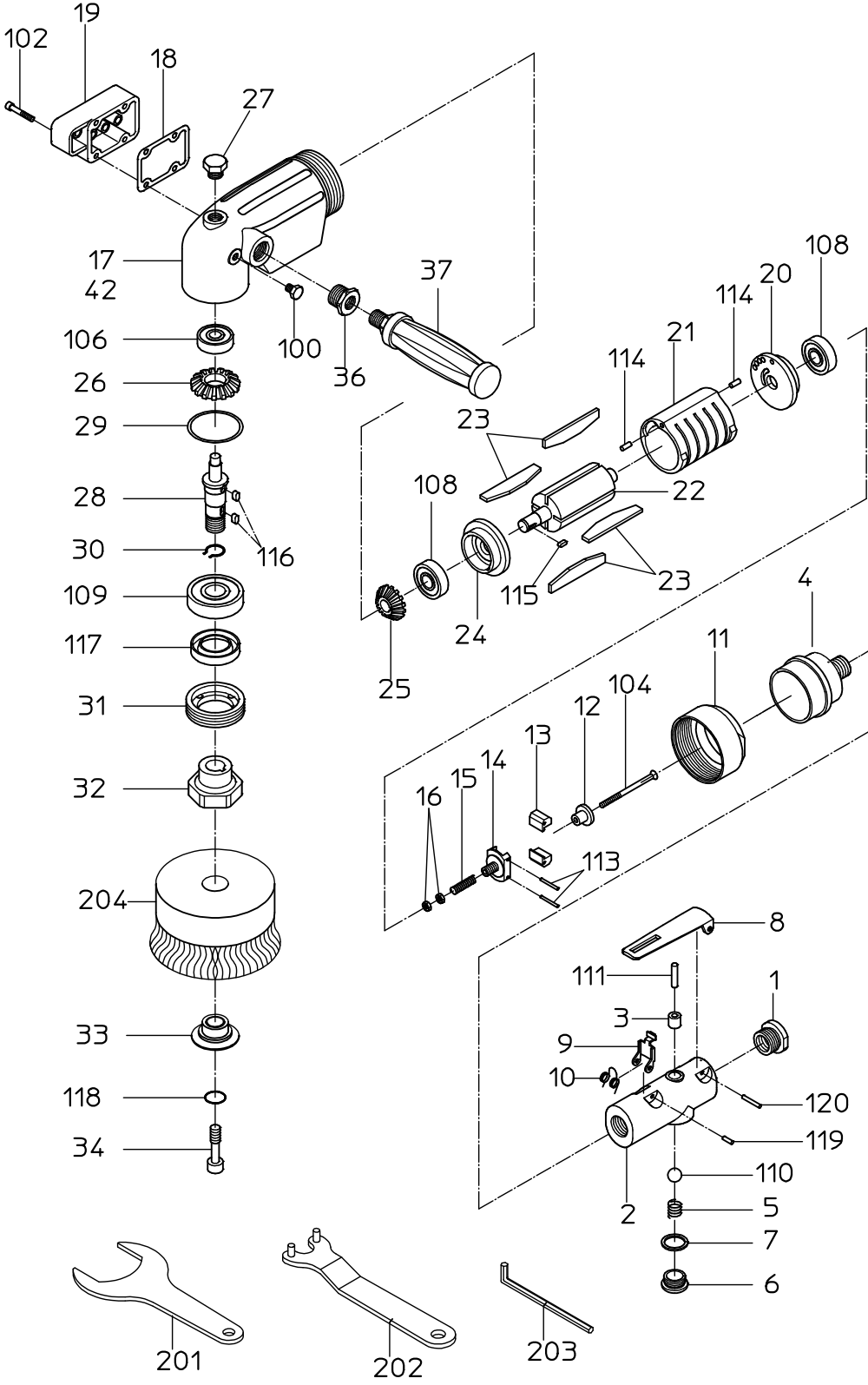


PARTS LIST

NAG-70WALW

502803



NIPPON PNEUMATIC MFG. CO., LTD.

PARTS LIST

(1/3)

MODEL : **NAG-70WALW**

502803

ITEM	PART NO.	PART NAME	Q' ty
1	15210840	INLET BUSHING	1
2	Not available separately. Available only as THROTTLE ARBOR WB, THROTTLE ARBOR CP (P/No. 15015371, 15015651)	THROTTLE ARBOR	1
3	Not available separately. Available only as THROTTLE ARBOR WB, THROTTLE ARBOR CP (P/No. 15015371, 15015651)	THROTTLE BUSH	1
4	15008250	HANDLE	1
5	15009260	THROTTLE SPRING	1
6	15009290	THROTTLE PLUG	1
7	15009340	RUBBER PACKING	1
8	15008260	LEVER	1
9	15008270	STOPPER	1
10	15008230	SPRING	1
11	15008080	LOCK NUT	1
12	15007690	GOVERNOR VALVE	1
13	15008310	GOVERNOR WEIGHT	2
14	15007700	GOVERNOR BODY	1
15	15007630	GOVERNOR SPRING	1
16	15007720	GOVERNOR NUT	2
17	Not available separately. Available only as ROTOR CASE CP (P/No. 15015290)	ROTOR CASE	1
18	15007920	EXHAUST PACKING	1
19	15007670	EXHAUST COVER	1
20	15007940	TOP PLATE	1
21	15007930	CYLINDER	1
22	15007970	ROTOR	1
23	15007950	VANE	4
24	15007960	BOTTOM PLATE	1
25	15007990	ROTOR GEAR	1
26	15008000	SPINDLE GEAR	1
27	15007740	OIL PLUG	1
28	15008020	STONE SPINDLE	1
29	15008060	SHIN WASHER	1
30	15008040	STOPPER RING	1
31	15008010	SPINDLE NUT	1
32	15007830	STONE FLANGE	1
33	15008320	WIRE BRUSH NUT	1
34	15008090	LOCK SCREW	1
36	15008050	SOCKET	1
37	15007801	HOLDER	1
42		NAME PLATE	1
100	72206008	BOLT	1
102	74004025	CAP SCREW	4
104	28100258	C-R. FLAT SCREW	1
106	28201067	BALL BEARING	1
108	28201088	BALL BEARING	2
109	28201100	BALL BEARING	1
110	28205053	RUBBER BALL	1
111	28207224	ROLLER PIN	1
113	28208030	SPRING PIN	2
114	25305550	SPRING PIN	2

PARTS LIST

(2/3)

MODEL : **NAG-70WALW**

502803

ITEM	PART NO.	PART NAME	Q' ty
115	28209011	KEY	1
116	28209016	KEY	2

PARTS LIST

(3/3)

MODEL : **NAG-70WALW**

502803

ITEM	PART NO.	PART NAME	Q' ty
117	28302015	OIL SEAL	1
118	61200060	O RING	1
119	28208061	SPRING PIN	1
120	25305020	SPRING PIN	1
201	24999116	SINGLE ENDED SPANNER	1
202	24999134	FLANGE SPANNER	1
203	25004060	SPANNER	1
204	24906022	CUP TYPE WIRE BRUSH	1
	contents of cp		
	15015371	THROTTLE ARBOR WB	
	1, 2, 3		
	15015651	THROTTLE ARBOR CP	
	1, 2, 3, 4, 5, 6, 7, 8, 9, 10, 110, 113, 114		
	15015290	ROTOR CASE CP	
	17, 27, 36, 100		