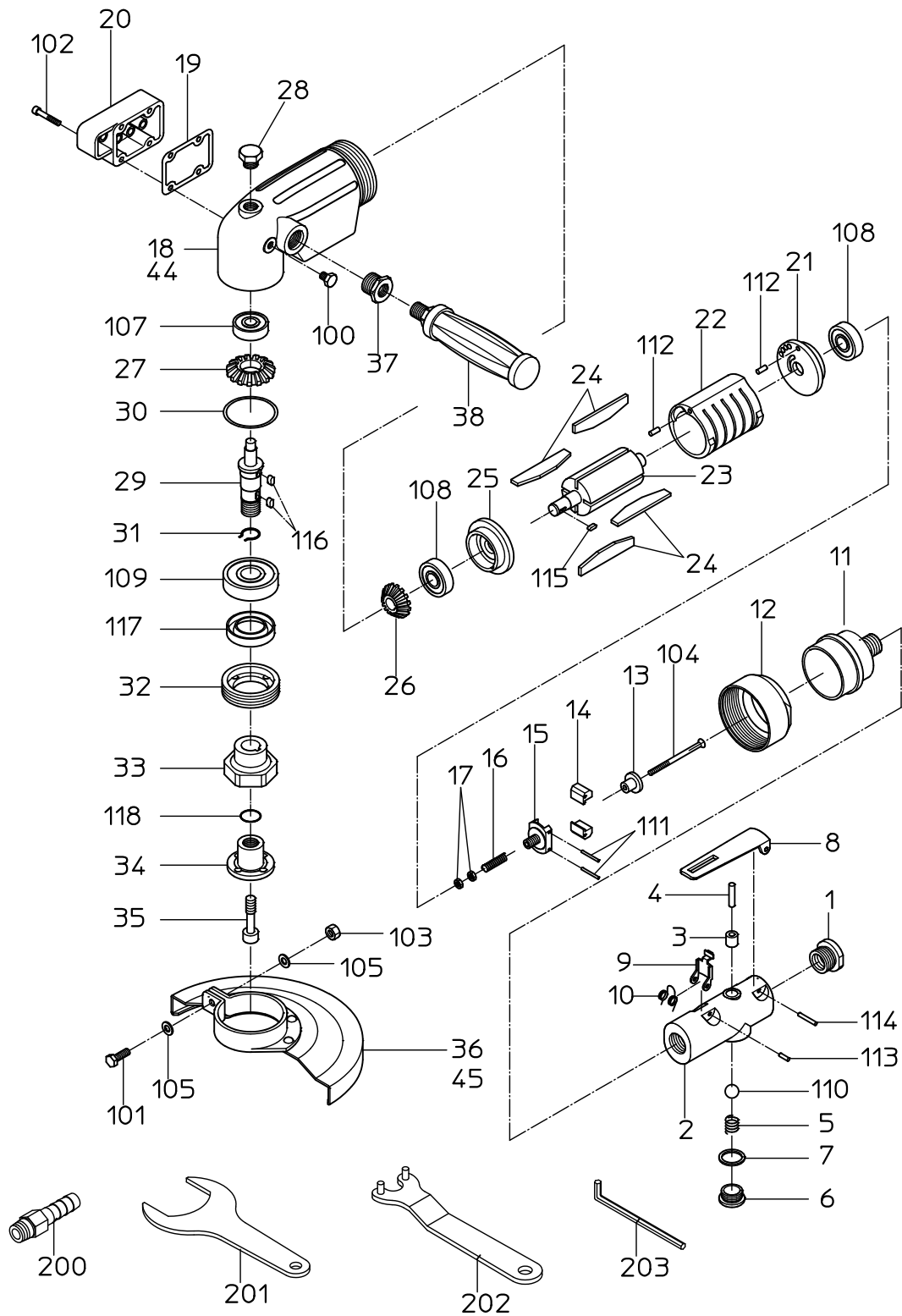


# PARTS LIST

## NAG-70ALW

505582



NIPPON PNEUMATIC MFG. CO., LTD.

# PARTS LIST

(1/2)

MODEL : **NAG-70ALW**

505582

ITEM	PART NO.	PART NAME	Q' ty
1	15220028	INLET BUSHING	1
2	Not available separately. Available only as THROTTLE AROBR CP or THROTTLE ARBOR WB (P/No. 15016957, 15016954)	THROTTLE ARBOR	1
3	Not available separately. Available only as THROTTLE AROBR CP or THROTTLE ARBOR WB (P/No. 15016957, 15016954)	THROTTLE BUSH	1
4	28207224	ROLLER PIN	1
5	15009260	THROTTLE SPRING	1
6	15009290	THROTTLE PLUG	1
7	15009340	RUBBER PACKING	1
8	15016037	LEVER	1
9	15008270	STOPPER	1
10	15017003	SPRING	1
11	15008250	HANDLE	1
12	15008080	LOCK NUT	1
13	15007690	GOVERNOR VALVE	1
14	15007710	GOVERNOR WEIGHT	2
15	15007700	GOVERNOR BODY	1
16	15007630	GOVERNOR SPRING	1
17	15007720	GOVERNOR NUT	2
18	Not available separately. Available only as ROTOR CASE CP (P/No. 15015290)	ROTOR CASE	1
19	15007920	EXHAUST PACKING	1
20	15007671	EXHAUST COVER	1
21	15007940	TOP PLATE	1
22	15007930	CYLINDER	1
23	15007970	ROTOR	1
24	15016105	VANE	4
25	15007960	BOTTOM PLATE	1
26	15016919	ROTOR GEAR	1
27	15008000	SPINDLE GEAR	1
28	15007740	OIL PLUG	1
29	15008020	STONE SPINDLE	1
30	15008060	SHIN WASHER	1
31	15008040	STOPPER RING	1
32	15008010	SPINDLE NUT	1
33	15007830	STONE FLANGE	1
34	15016065	WHEEL NUT	1
35	15008090	LOCK SCREW	1
36	Not available separately. Available only as STONE COVER CP (P/No. 15015340)	STONE COVER	1
37	15008050	SOCKET	1
38	15007801	HOLDER	1
44		NAME PLATE	
45		NAME PLATE	
100	72206008	BOLT	1
101	72206020	BOLT	1
102	74004025	CAP SCREW	4
103	76111206	NUT	1
104	28100258	C-R. FLAT SCREW	1
105	76310206	WASHER	2

