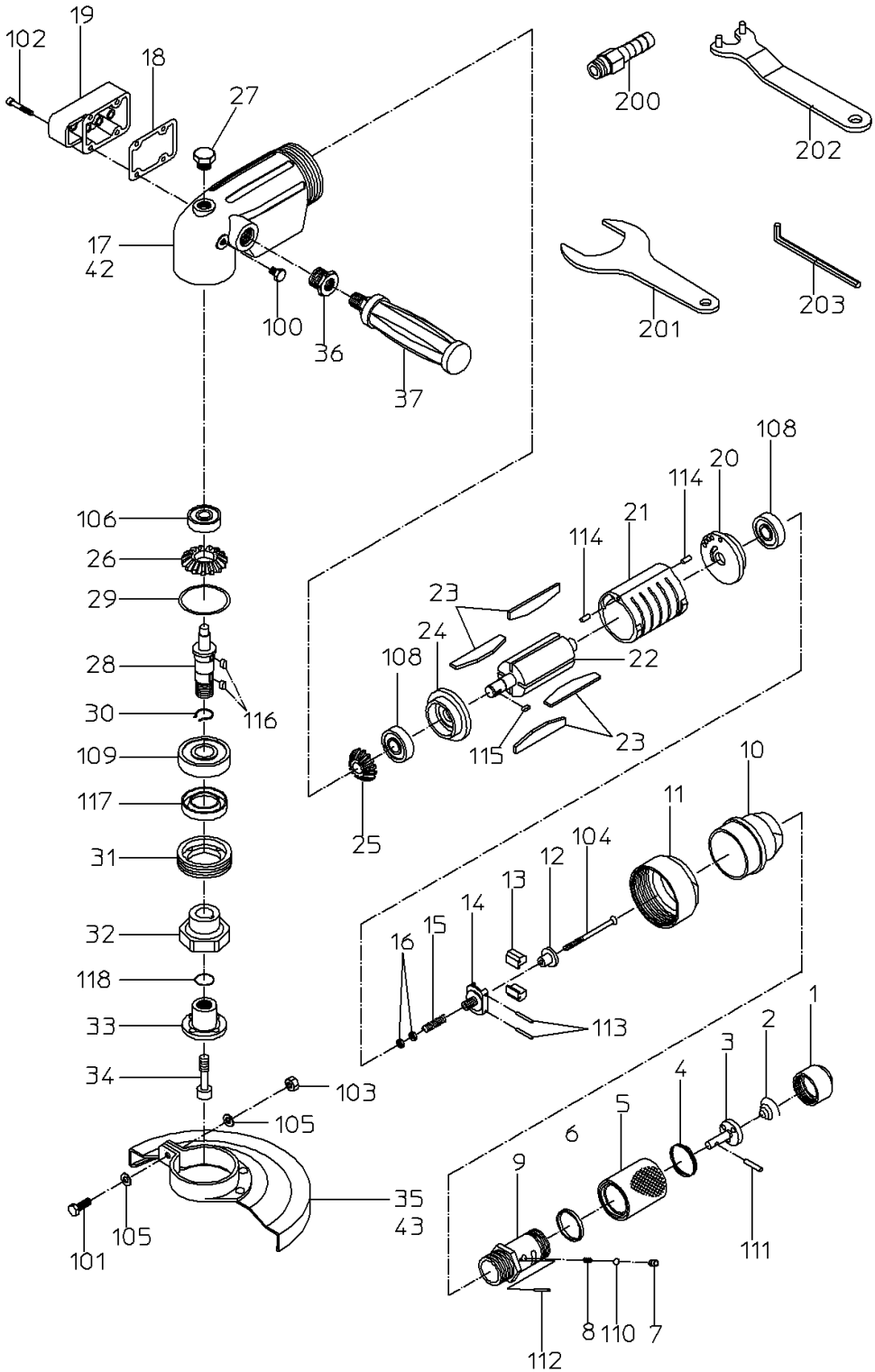


PARTS LIST

NAG-70A

505252



PARTS LIST

(1/2)

MODEL : **NAG-70A**

505252

ITEM	PART NO.	PART NAME	Q' ty
1	15007730	INLET BUSHING	1
2	15007640	THROTTLE SPRING	1
3	15007770	THROTTLE VALVE	1
4	15007660	PUSH SPRING	1
5	15007750	GRIP	1
6	15008030	PILOT RING	1
7	15008070	BALL BUSH	1
8	15007650	SPRING	1
9	15016171	THROTTLE ARBOR	1
10	15007790	HANDLE	1
11	15008080	LOCK NUT	1
12	15007690	GOVERNOR VALVE	1
13	15007710	GOVERNOR WEIGHT	2
14	15007700	GOVERNOR BODY	1
15	15007630	GOVERNOR SPRING	1
16	15007720	GOVERNOR NUT	2
17	Not available separately. Available only as ROTOR CASE CP (P/No. 15015290)	ROTOR CASE	1
18	15007920	EXHAUST PACKING	1
19	15007670	EXHAUST COVER	1
20	15007940	TOP PLATE	1
21	15007930	CYLINDER	1
22	15007970	ROTOR	1
23	15016105	VANE	4
24	15007960	BOTTOM PLATE	1
25	15007990	ROTOR GEAR	1
26	15008000	SPINDLE GEAR	1
27	15007740	OIL PLUG	1
28	15008020	STONE SPINDLE	1
29	15008060	SHIN WASHER	1
30	15008040	STOPPER RING	1
31	15008010	SPINDLE NUT	1
32	15007830	STONE FLANGE	1
33	15016065	WHEEL NUT	1
34	15008090	LOCK SCREW	1
35	Not available separately. Available only as STONE COVER CP (P/No. 15015340)	STONE COVER CP	1
36	15008050	SOCKET	1
37	15007801	HOLDER	1
42		NAME PLATE	1
43		NAME PLATE	1
100	72206008	BOLT	1
101	72206020	BOLT	1
102	74004025	CAP SCREW	4
103	76111206	NUT	1
104	28100258	C-R. FLAT SCREW	1
105	76310206	WASHER	2
106	28201067	BALL BEARING	1
108	28201088	BALL BEARING	2
109	28201100	BALL BEARING	1
110	25502120	STEEL BALL	1
111	28206062	PIN	1
112	28207037	ROLLER PIN	1

PARTS LIST

(2/2)

MODEL : **NAG-70A**

505252

ITEM	PART NO.	PART NAME	Q' ty
113	28208030	SPRING PIN	2
114	25305550	SPRING PIN	2
115	28209011	KEY	1
116	28209016	KEY	2
117	28302015	OIL SEAL	1
118	61200060	O RING	1
201	24999116	SINGLE ENDED SPANNER	1
202	24999132	FLANGE SPANNER	1
203	25004060	SPANNER	1
	OPTION		
	15410020	DIAMOND WHEEL WASHER	
	CP LIST		
	15015286	GOVERNOR CP 12, 13, 14, 15, 16, 104, 113	
	15015287	GOVERNOR BODY CP 13, 14, 113	
	15016172	THROTTLE ARBOR CP 1, 2, 3, 4, 5, 6, 7, 8, 9, 110, 111, 112	
	15015290	ROTOR CASE CP 17, 27, 36, 100	
	15015340	STONE COVER CP 35, 43, 101, 103, 105	