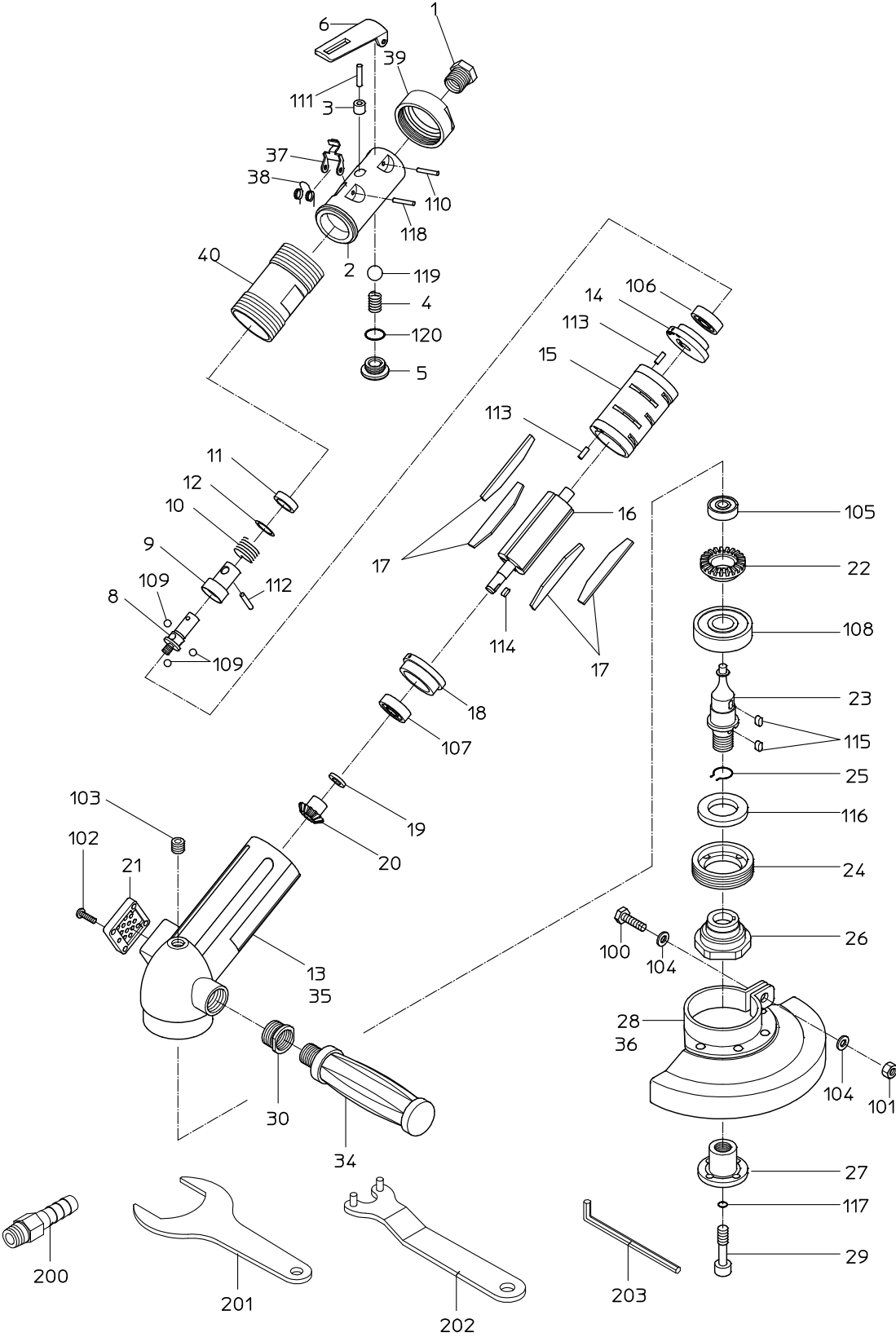


PARTS LIST

NAG-6XALW

502206



NIPPON PNEUMATIC MFG. CO., LTD.

PARTS LIST

(1/2)

MODEL : **NAG-6XALW**

502204

ITEM	PART NO.	PART NAME	Q'ty
1	15204080	INLET BUSHING	1
2	Not available separately. Available only as HANDLE WB or HANDLE CP (P/No. 15015261 No. 15016045)	HANDLE	1
3	Not available separately. Available only as HANDLE WB or HANDLE CP (P/No. 15015261 No. 15016045)	THROTTLE BUSH	1
4	15102340	THROTTLE SPRING	1
5	15005490	THROTTLE PLUG	1
6	15016036	LEVER	1
8	15003100	GOVERNOR BODY	1
9	15003090	GOVERNOR VALVE	1
10	15015750	GOVERNOR SPRING	1
11	15003120	GOVERNOR WASHER	1
12	15003280	SHIN WASHER	1
13	Not available separately. Available only as ROTOR CASE AS (P/No. 15015705)	ROTOR CASE	1
14	15102650	TOP PLATE	1
15	15012060	CYLINDER	1
16	15012100	ROTOR	1
17	15016111	VANE	4
18	15012090	BOTTOM PLATE	1
19	15005250	ROTOR WASHER	1
20	15012120	ROTOR GEAR	1
21	15005650	EXHAUST COVER	1
22	15012130	SPINDLE GEAR	1
23	15012140	STONE SPINDLE	1
24	15008010	SPINDLE NUT	1
25	15008040	STOPPER RING	1
26	15015733	STONE FLANGE	1
27	15016055	WHEEL NUT	1
28	Not available separately. Available only as STONE COVER CP (P/No. 15015262)	STONE COVER	1
29	15008090	LOCK SCREW	1
30	15006290	SOCKET	1
34	15006040	HOLDER	1
35	18400509	NAME PLATE	1
36	18400083	NAME PLATE	1
37	15005520	STOPPER	1
38	15008230	SPRING	1
39	15005530	LOCK NUT	1
40	15015595	AIR CONNECTOR	1
100	72206018	HEX. BOLT	1
101	76111206	NUT	1
102	28100026	C-R. PAN HEAD SCREW	4
103	28100501	HEX. SOCKET PLUG	1
104	76310206	WASHER	2
105	28201069	BALL BEARING	1
106	28201068	BALL BEARING	1
107	28201072	BALL BEARING	1

PARTS LIST

(2/2)

MODEL : **NAG-6XALW**

502204

ITEM	PART NO.	PART NAME	Q'ty
108	28201091	BALL BEARING	1
109	28205026	STEEL BALL	3
110	25305020	SPRING PIN	1
111	28207233	ROLLER PIN	1
112	28209075	ROLLER PIN	1
113	28208056	SPRING PIN	2
114	28209010	KEY	1
115	28209016	KEY	2
116	28302013	OIL SEAL	1
117	61200060	O RING	1
118	28208061	SPRING PIN	1
119	28205051	RUBBER BALL	1
120	61200120	O RING	1
201	24999116	SINGLE ENDED SPANNER	1
202	24999132	FLANGE SPANNER	1
203	25004060	SPANNER	1
Contents of CP			
	15016045	HANDLE CP	
	1, 2, 3, 4, 5, 6, 37, 38, 39, 110, 111, 118, 119, 120		
	15015261	HANDLE WB	
	2, 3		
	15015262	STONE COVER CP	
	28, 36, 100, 101, 104		
	15015670	BOTTOM PLATE WBR	
	18, 107		
	15015681	TOP PLATE WBR	
	14, 106		
	15015705	ROTOR CASE AS	
	13, 30, 103		
	15015751	GOVERNOR CP	
	8, 9, 10, 11, 12, 109, 112		