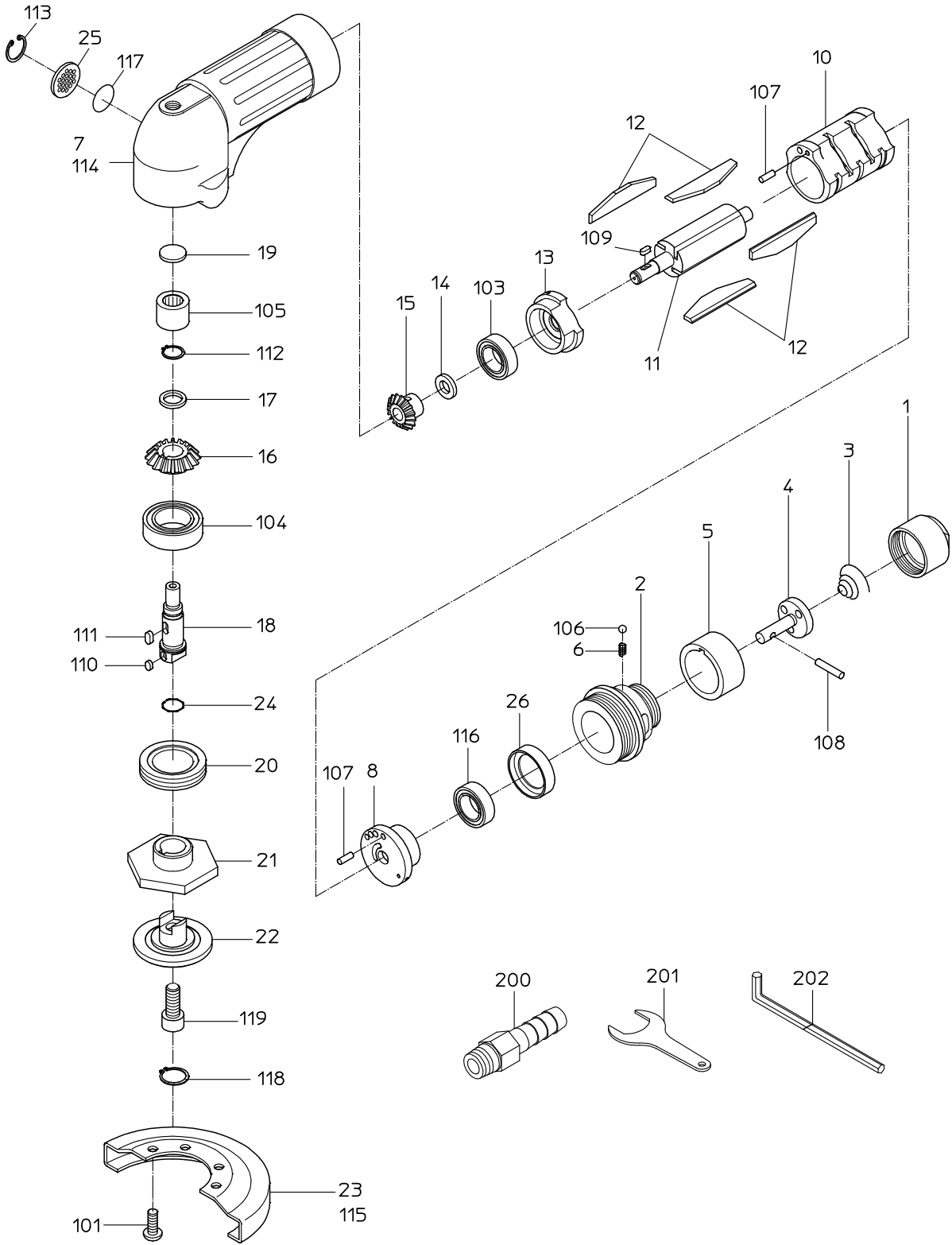


# PARTS LIST

## NAG-1F-05

505530



NIPPON PNEUMATIC MFG. CO., LTD.

# PARTS LIST

(1/1)

MODEL : **NAG-1F-05**

505530

ITEM	PART NO.	PART NAME	Q'ty
1	15005040	INLET BUSHING	1
2	15004960	HANDLE	1
3	15007640	THROTTLE SPRING	1
4	15001020	THROTTLE VALVE	1
5	15005060	GRIP	1
6	15007650	SPRING	1
7	15016148	ROTOR CASE	1
8	15016146	TOP PLATE	1
10	15015780	CYLINDER	1
11	15016074	ROTOR	1
12	15016098	VANE	4
13	15016075	BOTTOM PLATE	1
14	15005250	ROTOR WASHER	1
15	15016226	ROTOR GEAR	1
16	15005270	SPINDLE GEAR	1
17	15005260	SPINDLE WASHER	1
18	15016072	STONE SPINDLE	1
19	15015790	WASHER	1
20	15007100	SPINDLE NUT	1
21	15016073	STONE FLANGE	1
22	15016062	WHEEL NUT	1
23	Not available separately. Available only as Stone Cover CP (P/No. 15015991)	STONE COVER	1
24	15007130	STOPPER RING	1
25	15015773	EXHAUST COVER	1
26	15016127	CAP	1
101	28100729	CAP SCREW	4
103	28201072	BALL BEARING	1
104	28201098	BALL BEARING	1
105	28203082	NEEDLE BEARING	1
106	25502120	STEEL BALL	1
107	28206036	PIN	2
108	28207063	ROLLER PIN	1
109	28209010	KEY	1
110	28209015	KEY	1
111	28209016	KEY	1
112	25307480	RETAINING RING	1
113	25307922	RETAINING RING	1
114	18400681	NAME PLATE	1
115	18400424	NAME PLATE	1
116	28201071	BALL BEARING	1
117	25401270	O RING	1
118	25307600	RETAINING RING	1
119	74008020	CAP SCREW	
200	24901038	HOSE NIPPLE	1
201	24999116	SINGLE ENDED SPANNER	1
202	25004060	SPANNER	1
	CP LIST		
	15015795	HANDLE CP	
	1, 2, 3, 4, 5, 6, 106, 108		
	15015991	STONE COVER CP	
	23, 115		