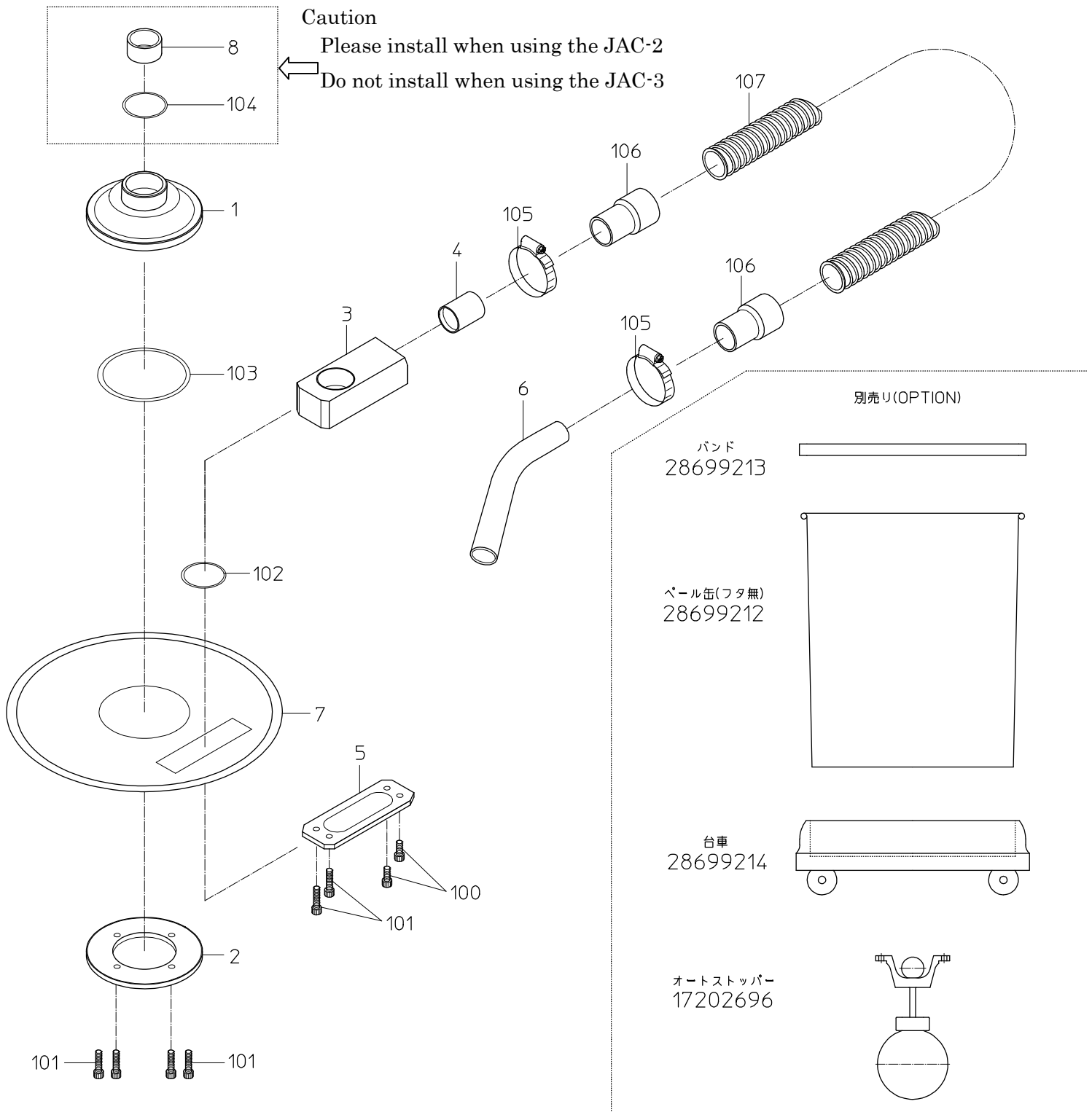


# PARTS LIST

## JAC-P

621161



# PARTS LIST

MODEL : **JAC-P**

621161

ITEM	PART NO.	PART NAME	Q'ty
1	17202680	TOP PLATE	1
2	17202681	BOTTOM PLATE	1
3	17202682	HOSE ADAPTER	1
4	17202683	HOSE GAIDE	1
5	17202684	PLATE (2)	1
6	17202678	NOZZLE	1
7	17202685	COVER	1
8	17202700	BUSHING	1
9	18400659	SEAL	1
100	74506010	CAP SCREW	2
101	74506015	CAP SCREW	6
102	62201000	O RING	1
103	62201100	O RING	1
104	63200380	O RING	1
105	28699028	HOSE CRIP	2
106	26340247		2
107	24905071	DUCT HOSE	1
	OPTION		
	28699213	BAND	
	28699212	PAIL (20L)	
	28699214	CARRIAGE	
	17202696	AUTO-STOPPER	