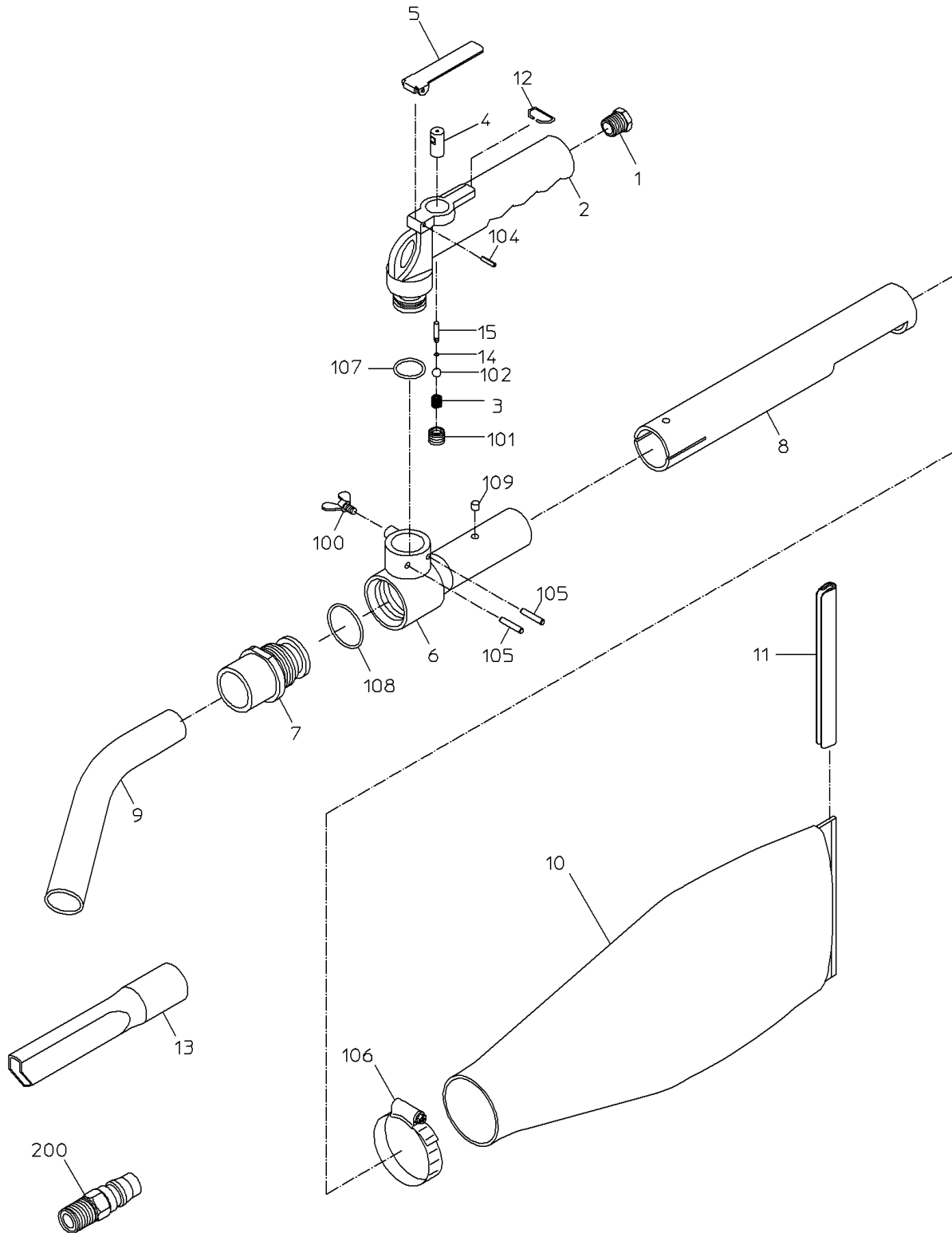


# PARTS LIST

## JAC-3

621155



NIPPON PNEUMATIC MFG. CO., LTD.

# PARTS LIST

(1/1)

MODEL : **JAC-3**

621155

ITEM	PART NO.	PART NAME	Q' ty
1	17202672	INLET BUSH	1
2	Not available separately. Available only as HANDLE WB (P/No. 17202697)	HANDLE	1
3	15000800	THROTTLE SPRING	1
4	Not available separately. Available only as HANDLE WB (P/No. 17202697)	THROTTLE BUSH	1
5	15213271	LEVER	1
6	17202675	FEED SLEEVE	1
7	17202676	ADAPTER	1
8	17202677	PIPE	1
9	17202678	NOZZLE	1
10	17202650	DUST BAG	1
11	17202460	CLIPPER	1
12	17202692	STOPPER	1
13	17202691	NOZZLE	1
14	17509230	STOPPER RING	1
15	17202705	THROTTLE PIN	1
100	28100375	WING BOLT	1
101	28100351	PLUG	1
102	28205051	RUBBER BALL	1
104	28208064	SPRING PIN	1
105	28208128	SPRING PIN	2
106	28699028	HOSE CRIP	1
107	61200210	O RING	1
108	61200340	O RING	1
109	28207133	ROLLER PIN	2
200	24901010	COUPLER PLUG	1
	ASSY LIST		
	17202697	HANNDLE WB	
		2, 4	