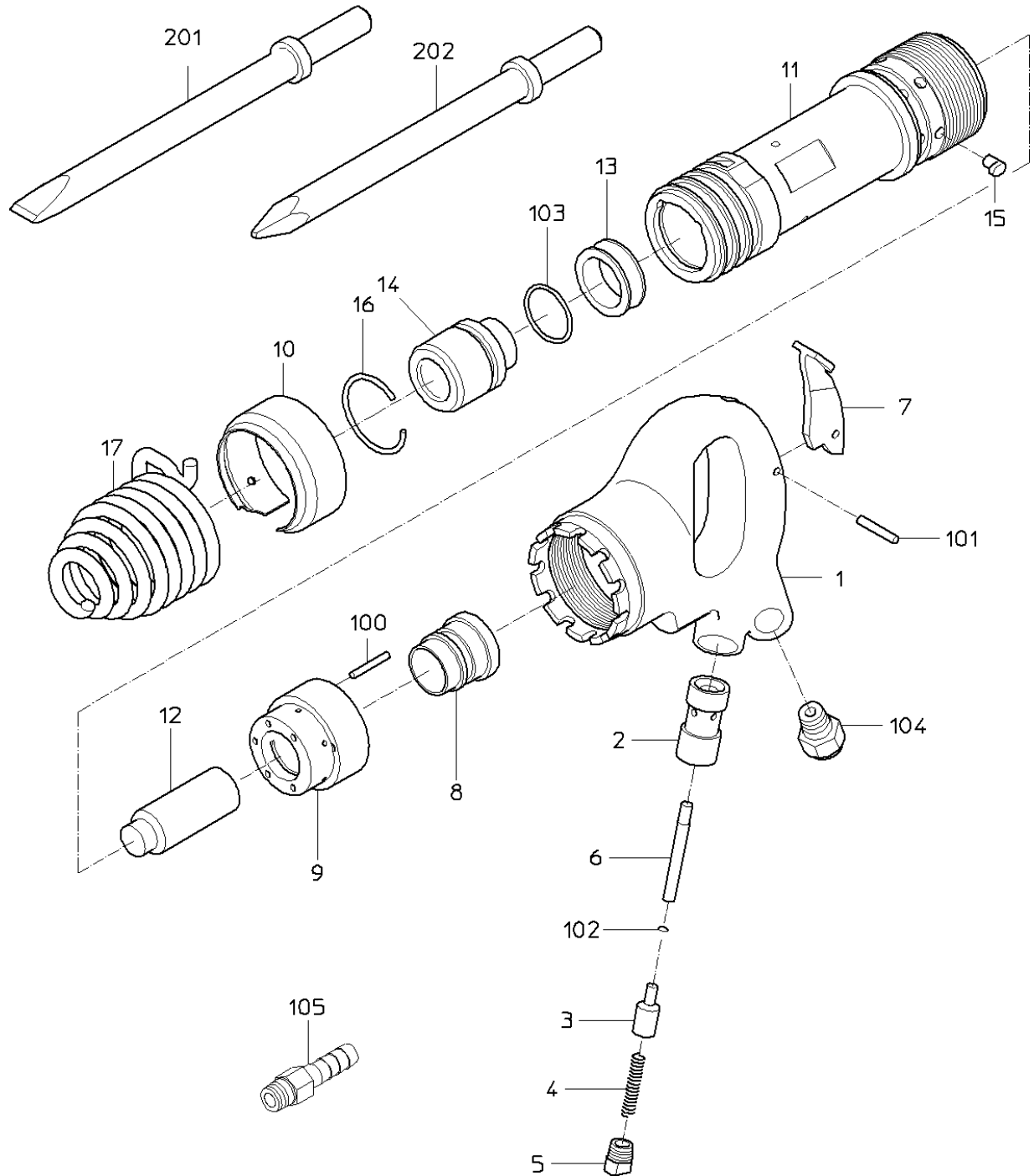


PARTS LIST

AA-15XSP(R)

606030



PARTS LIST

(1/1)

MODEL : **AA-15XSP (R)**

606030

| ITEM | PART NO. | PART NAME | Q' ty |
|------|---|-------------------------|-------|
| 1 | Not available separately. Available only as HANDLE WB or HANDLE CP (P/No. 17514794 No. 17514797) | HANDLE | 1 |
| 2 | Not available separately. Available only as HANDLE WB or HANDLE CP (P/No. 17514794 No. 17514797) | THROTTLE BUSH | 1 |
| 3 | 17514949 | THROTTLE VALVE | 1 |
| 4 | 17501930 | THROTTLE SPRING | 1 |
| 5 | 17502010 | THROTTLE PLUG | 1 |
| 6 | 17501500 | THROTTLE PIN | 1 |
| 7 | 17514745 | LEVER | 1 |
| 8 | 17514753 | VALVE | 1 |
| 9 | 17501542 | VALVE BOX | 1 |
| 10 | 17501490 | EXHAUST COVER | 1 |
| 11 | 17502390 | CYLINDER | 1 |
| 12 | 17502400 | PISTON | 1 |
| 13 | 17502450 | CUSHION SHEAT | 1 |
| 14 | 17502530 | SHANK BUSHING | 1 |
| 15 | 17501700 | STOPPER PIN | 1 |
| 16 | 17502580 | STOPPER RING | 1 |
| 17 | 17502741 | CHISEL SPRING | 1 |
| 100 | 28206068 | PIN | 1 |
| 101 | 28207105 | ROLLER PIN | 1 |
| 102 | 61100050 | O RING | 1 |
| 103 | 25411370 | O RING | 1 |
| 104 | 24901031 | NIPPLE STEAD | 1 |
| | | | |
| | | | |
| | Option | | |
| 201 | 17501870 | FLAT CHISEL (R) | 0 |
| 202 | 17501880 | DEMOLITION POINT CHISEL | 0 |
| | | | |
| | | | |
| | ASSY LIST | | |
| | 17514794 | HANDLE WB | |
| | 1, 2 | | |
| | | | |
| | 17514977 | HANDLE CP | |
| | 1, 2, 3, 4, 5, 6, 7, 101, 102, 104 | | |
| | | | |
| | 17514986 | THROTTLE VALVE WR | |
| | 3, 102 | | |
| | | | |
| | 17514755 | VALVE CP | |
| | 8, 9, 100 | | |